



# STAND UP

A chair with a view. Being able to stand up at the press of a button can make life so much easier. The C400VS Senior/Junior uses advanced technology to give you that possibility. You can go from lie-to-stand or sit-to-stand as you please, in natural, controlled motion. The C400VS Junior even allows you to stand and drive.

# C400

VS SR/JR

## POWER FUNCTIONS



R-Net (Standard). Alternative Drive Controls available. (Option)



Power sit to stand from any position. Drive at reduced speed in standing position. Junior model allows you to drive in standing position.

SHROUD COLORS



Extreme Yellow



Crystal Blue



Vintage Wine



Metallic Green



Black Onyx



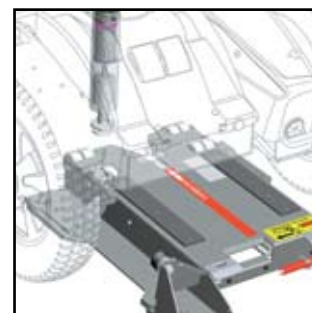
Power adjustable recline operates independently from power adjustable legrests.



Power adjustable tilt to 25°.



Power adjustable legrests operate independently from power adjustable recline.



Permlock C: Lock your Permobil into position for safer travel by car. (Option)

## C400 VS™ JR/SR SPECIFICATIONS

Weight incl. Batteries	168 kg (370 lbs)	Max Speed Standard	7,5 km/h (4.7 mph)
Base length	1185 mm (46.5")	Driving speed standing	2 km/h (1.3 mph)
Base width	620 mm (25.5")	Driving speed tilted	½ speed at 135° backrest angle
Turning radius	665 mm (26")	Range	30–35 km (18.5–22 miles)
Seat to floor height	530–780 mm (21"–30.5")	Battery Capacity	2 x 73 Ah
Seat elevator	250 mm max. (10")	Max user weight	Jr 70 kg (155 lbs) Sr 120 kg (265 lbs)
Power tilt angle (option)	25° max.	Max user weight stand and drive	Jr 70 kg (155 lbs)
Power recline	180° max.		
Seat Widths	430/480 mm (17"/19")		
Seat Depths	Jr 360 mm (14") Sr 410–550 mm (16"–21.5")		
Backrest heights	550/620 mm (21.5"/24.5")		



The Art of Mobility™

Permobil AB.  
Box 120, SE 861 23 Timrå, Sweden.  
Phone: +46 60 59 59 00.  
[www.permobil.com](http://www.permobil.com)