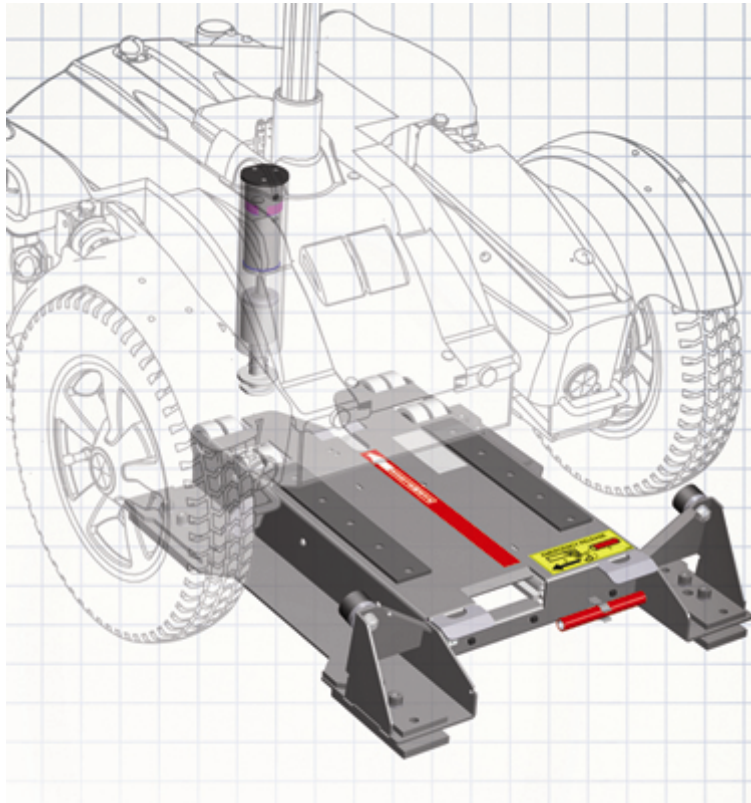


Permolock



Dealer Information

Contact: _____

Permobil Dealer Code: _____

NMEDA Certification #: _____

Dealer Name: _____

Address: _____

City: _____

State/Zip: _____

Phone#: _____

Fax#: _____

PO#: _____

Client Information

Permobil requires that a Permolock Base be installed by a NMEDA Certified Dealer.

First Name: _____

Last Name: _____

Serial Number of Wheelchair: _____

Select Options:

Part Number	Description	MSRP - CAD
I102843-99-0	Permolock Kit - COMPLETE <i>Includes: Locking Base, Plunger, and Manual Release Handle. The Locking Base must be installed by a NMEDA Dealer. Please provide the NMEDA Dealer Name & Address where the locking Base will ship to.</i> NAME: _____ ADDR: _____	<input type="checkbox"/> 2,635.00
I102840-99-0	Base ONLY for Permolock <i>Price Includes: Locking Base only. This item must be installed by a NMEDA Dealer.</i>	<input type="checkbox"/> 2,200.00
I102842-99-0	Plunger ONLY for Permolock <i>Price Includes: Plunger only. This item may be purchased by any Permobil Inc or NMEDA certified dealer. The standard mounting position for the button to control the plunger is at the end of the armrest pad, opposite the joystick.</i>	<input type="checkbox"/> 1,170.00
I102841-99-0	Manual Release Handle ONLY for Permolock <i>Price Includes: Manual Release Handle only. This item may be purchased by any Permobil Inc or NMEDA Certified Dealer.</i>	<input type="checkbox"/> 305.00
I1820550	Permolock OEM Seat Install Bracket <i>Allows for installation of original automotive seat.</i>	<input type="checkbox"/> 525.00
I1821551	Permolock Height Adapter for OEM Seat Bracket <i>Used in combination with the OEM Seat Install Bracket to provide height adjustability of original automotive seat. Range of height adjustability is 8" - 12", in 1" increments.</i>	<input type="checkbox"/> 515.00

Please send order/quote to fax#: **(800) 231-3256**

Prices effective November 21, 2006. All specifications and prices are subject to change without notice. Please note that prices displayed are only valid if the order is for a new Permolock. Any parts ordered for service or future alterations will carry different pricing and warranty.
www.permobil.com

Permobil Ltd.
C/O Permobil Inc
6961 Eastgate Blvd.
Lebanon, TN 37090
Tel: (800) 736-0925
Fax: (800) 231-3256



The New Permlock Features:

- **Retractable Plunger** – First on the market and provides better ground clearance. No more damaged thresholds or carpets.
- **Ease of Installation** - The C400 or C500 base is already set up to accept the Permlock plunger. The Permlock base mounts easily in vehicles.
- **Stability** - When pulling a wheelchair into the Permlock base the drive wheel suspensions are locked out providing a much more stable base to drive from.
- **Drive From Wheelchair** - We endorse passengers riding in Permobil wheelchairs when using the Permlock (see memo below).

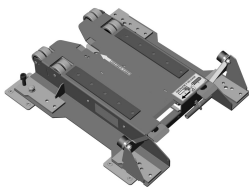
Memo on Transporting Wheelchairs in Vehicles Using *Permlock*

A user may ride in a Permobil C400 or C500 of appropriate configuration in a motor vehicle, when properly secured by both a *Permlock* wheelchair lockdown system AND a crash tested lap and shoulder belt, which is secured to the motor vehicle. A “crash tested lap belt” does NOT include the positioning belt attached to the wheelchair. The wheelchair belt is designed to position the user in the wheelchair during ordinary use. It is not designed to protect the user against injury while riding in the wheelchair in a vehicle. Users who pursue riding in or driving vehicles in their wheelchairs assume a great risk. We urge them to give careful consideration to this pursuit.

Table of Approved C400 and C500 Configurations that may be used with *Permlock*

Chassis	Seating System	Seating System Options
C400 C500	Corpus II	All Power Functions
	Corpus II	with "Side Mounted" Recline
	Corpus II	with Center-Mounted Recline
	Corpus II	with Manual Recline (Side) and/or Legs
	Corpus II	with Power Seat Elevator
	Corpus II	with Fixed Seat Tube
	Corpus II	with 30° Tilt
	Corpus II	with 45° Tilt
	Lowrider	All Power Functions
	Lowrider	with Manual Recline and/or Legs
	Lowrider	with Fixed Seat Tube
	Stander	All Configurations
	RS	All Configurations

Complete Kit Part #1102843-99-0 Includes:



**Permlock Base
#1102840-99-0**



**Manual Release Lever
#1102842-99-0**



**Permlock Retractable Plunger
#1102841-99-0**