

InternationalTiLite **AERO X** Order Form

Effective February 21, 2020 (New Items in Red)

FOLDING FRAME

Page 1 of 7

DEALER INFORMATION		RTS INFORMATION		
Dealer:	Account #:	RTS:	Phone:	
PO:	Ordered By:	Email:		
Email:		SHIP TO INFORMATION		
Mark For:	User Weight:	Name:	Ship Via:	
TiLite Sales Rep:		Address:		
TiLite Information:	Promo Code:	City:	State:	Zip:
Ship Date:	Order #:	Phone:	Fax:	

More options and frame modifications may be available through our Creative Mobility Division! Please contact customer service for details or [click here](#) to view options.

Please Email or Fax to the Permobil Manual Customer Service Team at tilitesales@permobil.com or 866.586.2413 / 509.586.2413

FRAME STYLE

- AXFS1 **Aero X Aluminum Frame** (Full Adjustability. 265 Pound Weight Limit.)..... **\$2,265**
- G2FS1 **2GX Titanium Frame** (Full Adjustability. 265 Pound Weight Limit. Light Weight, High Strength and Vibration Dampening. Not Available with Frame Transit Tie-Down.)..... **\$3,820**
- XFS1 **Swing Away**..... **STD**
- XFS3 **Hemi Height Frame** (Available with a Front Seat Height of 13.5" - 20" (34-51cm). Not Available with Depth Adjustable Back/Frame, 12" or 13" Seat Depth or Heavy Duty Frame.)..... **NCO**
- XFS2 **Fixed Front**..... **NCO**
- XHDR1 **Heavy Duty Frame (350 Pound Weight Limit)**. Includes Tension Adjustable by Straps Back Upholstery. Available with 18" to 22" Seat Widths and 16" to 20" Seat Depths. Not Available with 90° front end.)..... **\$545**
- XRFR1 **Reinforced Frame** (No charge when 20" Rear Seat Width and 20" Seat Depth are selected.)..... **\$340**

TRANSIT OPTIONS

- XTTDO1 **Aluminum Frame Transit Tie-Down** (Consists of four Tie-Down Brackets. Not Available with 2GX2, Heavy Duty Frame, Hemi Height Frame, Swing Away Tubular Armrests or Swing Away- Flip Back Tubular Armrests. Requires a Folding Stabilizer Bar unless a Depth Adjustable Backrest is selected. Requires minimum seat depth of 14". Please refer to the Aero X Transit Tie-Down Option Brochure for important information regarding the Transit Tie-Down Options.)..... **\$345**
- XWTB **Transport Bracket Option** (Consists of four Tie-Down Brackets. Unoccupied Use Only.) (Not Available when Swing Away frame and Heavy Duty Frame are both selected. Not available with Swing Away Tubular Armrest or Swing Away -Flip Back Tubular Armrests. Requires a minimum seat depth of 14" or 15" seat Depth with Hemi Height Frame.)..... **\$345**

FRAME FINISHES

Natural Finishes

- XFF1 **Satin** (Available with Titanium Frame only.)..... **STD**
- XSCBT1 **Satin Finish Buffing Pads**..... **\$15**
- XFF3 **Tattoos** (Tattoos on front frame tubes. Titanium frame finished in Satin . Aluminum frame tattooed in blasted aluminum with clear coat. Tattoos will be trimmed and adjusted to fit your frame.)..... **\$335**
- XFF45 **Need For Speed**
- XFF44 **Flower Garden**



- XFF43 **Mosaic**

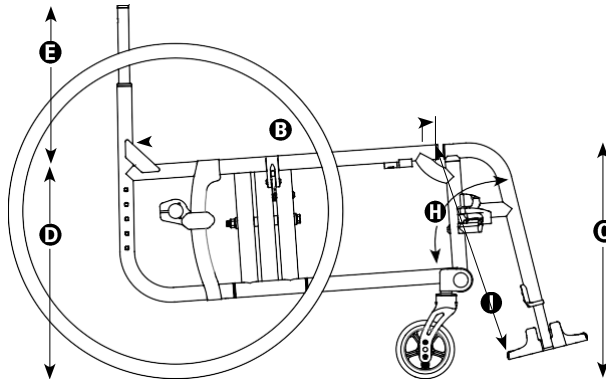
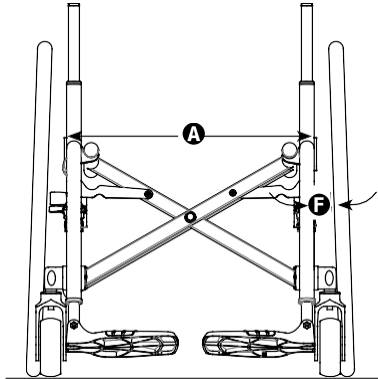


- | | | | |
|-----------------------------|----------------------------------------------------|---------------------------------------------------|---------------------------------------------------------|
| High Gloss Paint | <input type="checkbox"/> TFF8 Super Wet Black | <input type="checkbox"/> TFF10 TiLite Red | <input type="checkbox"/> TFF29 Neon Pink |
| Metallic Paint | <input type="checkbox"/> TFF14 Ocean Blue Metallic | <input type="checkbox"/> TFF15 Tangerine Metallic | <input type="checkbox"/> TFF30 Acid Green Metallic |
| Pearlescent Paint | <input type="checkbox"/> TFF17 Midnight Blue Pearl | <input type="checkbox"/> TFF18 White Pearl | |
| Matte Paint | <input type="checkbox"/> TFF19 Black Lava | <input type="checkbox"/> TFF27 Titanium Grey | |
| Candy Paint | <input type="checkbox"/> TFF22 Ruby Red | <input type="checkbox"/> TFF23 Azure Blue | <input type="checkbox"/> TFF25 Electric Plum |
| Matte Textured Paint | <input type="checkbox"/> TFF40 Hyper Blue | <input type="checkbox"/> TFF41 Flame Orange | <input type="checkbox"/> TFF42 OD Green..... STD |

FRAME MEASUREMENTS

SEAT WIDTH A Measure from outside of seat tube at back post to the outside of the opposite seat tube at back post.

- XSW1 12" 13" 14" 15" 16" 17" 18" 19" **STD**
 XSW2 20" 21" 22" (21" and 22" Seat Widths A are only available with Heavy Duty Frame.) **\$495**



SEAT DEPTH B Measure from 1/2" in front of back post to the front edge of seat sling. (12"-14" Seat Depths B not available with 25" (559) and 26" (560) Rear Wheels.)

- XSD1 12" 13" 14" 15" 16" 17" 18" 19" **STD**
 XSD2 20" **\$520**
 XSD3 Custom Frame Depth: _____" Frame Depth Longer Than Seat Depth (Use 1" increments with a maximum of 2". A Custom Frame Depth with a maximum of 20" is \$475.) **NCO**

FRONT SEAT HEIGHT C Measure from floor to top of seat tube at front edge of seat sling. Adjustable in 1/2" increments. (13.5" - 14" Front Seat Height C requires Hemi Height Frame Style. 20.5" - 21.5" Front Seat Height C not available with Hemi Height Frame Style.)

FRONT SEAT HEIGHT RANGES

Front Wheel Size	Front Seat Height C	Hemi Front Seat Height C
3" Front Wheel	14.5" - 18.5"	13.5" - 17.5"
3" Front Wheel w/ Glide™	16.5" - 17.5"	15.0" - 17.0"
4" Front Wheel	15.5" - 19.0"	14.5" - 18.0"
4" Front Wheel w/ Glide™	17.0" - 18.0"	15.5" - 17.0"
5" Front Wheel	16.5" - 19.5"	16.0" - 18.5"
5" Front Wheel w/ Glide™	17.5" - 18.5"	16.5" - 18.0"
6" Front Wheel	17.5" - 20.0"	16.5" - 19.0"
6" Front Wheel w/ Glide™	19.0"	17.5" - 18.0"
8" Front Wheel	19.5" - 21.0"	18.5" - 19.5"

- XFSH1 13.5" 14" 14.5" 15" 15.5" 16" 16.5" 17.0" 16.5" 16.5" 17.0"
 17.5" 18.0" 18.5" 19.0" 19.5" 20.0" 20.5" 21.0" **NCO**

REAR SEAT HEIGHT D Measure from floor to top of seat tube at back post. Adjustable in 3/8" increments.

Rear Wheel Size	Rear Seat Height
22"	13.0" - 18.0"
24"	14.0" - 19.0"
25"	14.0" - 19.0"
26"	15.0" - 20.0"

- XRSH1 13" 13.5" 14" 14.5" 15" 15.5" 16" 16.5" 17" 17.5" 18" 18.5"
 19" 19.5" 20" **NCO**

SEAT BACK HEIGHT E/SEAT BACK/PUSH HANDLES Measure from top of back post to top of seat tube at rear of frame.

SEAT BACK TYPE

- XSB13 Fixed Angle, Adjustable-Height Seat Back **STD**
 XLB1 Folding Stabilizer Bar (Required with Transit Tie-Down Option unless Depth Adjustable Backrest is selected. Includes Tension Adjustable by Strap Back Upholstery.) **\$380**
 XSB14 Fixed Angle, Adjustable Height Seat Back w/8-Degree Bend. (Not available with Heavy Duty Frame.) **NCO**
 XSB18 Folding Adjustable-Angle and Height Seat Back (Not available with Heavy Duty Frame or Ride Designs® Corbac™ .) **\$220**
 XSB16 Depth Adjustable Back/Frame (Not Available with Hemi Height Frame, Heavy Duty Frame, 19" or 20" Seat Depths E, Swing Away Tubular or Swing Away Flip-Back Armrest. Seat Depths E of 12"-17" allow 3" of rearward adjustment. Seat Depth E of 18" allow 2" of rearward adjustment. Requires Tension Adjustable Seat Upholstery.) **NCO**

PUSH HANDLES

- XSB6 Integrated Push Handles **NCO**
 XSB7 Integrated Fold-Down Push Handles (Requires Tension Adjustable by Straps Back Upholstery. Not available with Heavy Duty Frame.) **\$115**
 XSB9 Bolt-On Height Adjustable Push Handles (Requires Tension Adjustable by Straps Back Upholstery. Not available with Heavy Duty Frame, Folding Adjustable-Angle and Height Seat Back, Swing Away Tubular Armrests or Swing Away - Flip Back Tubular Armrests.) **\$380**

FRAME MEASUREMENTS

XSB20/XSB14 FIXED ANGLE ADJUSTABLE SEAT BACK HEIGHT ③ (11"-15" Fixed Seat Back Height not available with Heavy Duty Frame, Swing Away Tubular Arms 12"-15", Bolt-On Height Adjustable Push Handles or Folding Stabilizer Bar.)

Push Handles (Selected on Pg. 2)	Short	Tall	Set at: (Use 1" Increments)
None	<input type="checkbox"/> 11.0" - 15.0"	<input type="checkbox"/> 16" - 20"	Set at: _____
Integrated	<input type="checkbox"/> 11.0" - 15.0"	<input type="checkbox"/> 16" - 20"	Set at: _____
Integrated Fold-Down	<input type="checkbox"/> 11.0" - 15.0"	<input type="checkbox"/> 16" - 20"	Set at: _____
Bolt-On Height Adj.	-----	<input type="checkbox"/> 16" - 20"	Set at: _____

XSB18 FOLDING ADJUSTABLE- ANGLE AND HEIGHT SEAT BACK ③ (Not available with a Folding Stabilizer Bar or Heavy Duty Frame)

Push Handles (Selected on Pg. 2)	Short	Medium	Tall	Set at: (Use 1" Increments)
None	<input type="checkbox"/> 11.0" - 13.0"	<input type="checkbox"/> 13.5" - 16.5"	<input type="checkbox"/> 16.5" - 19.5"	Set at: _____
Integrated	<input type="checkbox"/> 12.5" - 14.5"	<input type="checkbox"/> 13.5" - 16.5"	<input type="checkbox"/> 17.0" - 19.5"	Set at: _____
Integrated Fold-Down	<input type="checkbox"/> 15.0" - 17.0"	<input type="checkbox"/> 16.0" - 19.0"	<input type="checkbox"/> 18.5" - 20.5"	Set at: _____

CAMBER ③

XCBR8 0° 2° 4° 6° **STD**

FRONT ANGLE ④ Front Angle ④ is measured from inside of front frame tube to top of bottom frame tube.

Swing Front End

XFA3 70° 80° 85° (Not available with 6" Front Wheels.) 90° (Requires aluminum footplate. Not available with Heavy Duty Frame, 5" or 6" Front Wheels.) **STD**

XFA0 Omit Hangers **NCO**

Fixed Front End

XFA6 70° 80° 85° (85° Not available with 6" Front Wheels.) **STD**

SEAT TO FOOTREST ①/FOOTRESTS Measure from front edge of seat sling to top rear of footrest.

If your Front Angle ④ is 70°, 80°, OR 85° select one Seat to Footrest ① length and one Footrest type:

Standard Footrests Measurement must be at least 2" shorter than Front Seat Height ③. 70° Fixed Front has a minimum seat to footrest of 14.5"

14" 14.5" 15" 15.5" 16" 16.5" 17" 17.5" 18" 18.5" 19" 19.5" 20"

XFTR5 Flip-up Footrest **STD**

XFTR9 Depth Adjustable Flip-up Footrest **\$110**

XFTR10 Depth & Angle Adjustable Flip-up Footrest (Available for 15"-20" Seat to Footrest ① only.) **\$270**

XFTR11 Angle Adjustable Flip-up Footrest (Available for 15"-20" Seat to Footrest ① only.) **\$170**

High Mount Footrests (Not Available with Luggage Carriers, or Impact Guards.)

7" 7.5" 8" 8.5" 9" 9.5" 10" 10.5" 11" 11.5" 12" 12.5" 13" 13.5" 14" 14.5"

XFTR20 High Mount Flip-up **\$185**

XFTR15 Angle Adjustable High Mount Flip-up Footrest **\$325**

XFTR16 Depth & Angle Adjustable High Mount Flip-up Footrest **\$365**

CUSTOM CONFIGURATION OPTIONS

If your Front Angle ④ is 90°, select one Seat to Footrest ① length and one Footrest type:

7" 8" 9" 10" 11" 12" 13"

XFTR5 Flip-up Footrest **STD**

XFTR9 Depth Adjustable Flip-up Footrest **\$110**

XFTR10 Depth & Angle Adjustable Flip-up Footrest **\$270**

XHLP1 Heel Loops (Not available with 13" or narrower Seat Width ⑤ or 1-Piece Footrests.) **\$40**

FRONT WHEELS (See Front Seat Height Ranges Chart on Page 2 for Front Seat Height ③ limitations.)

XFW24 3"x1.5" LiteSpeed Billet Aluminum Wheel w/Soft Roll Tire Silver Hub **OR** Black Hub **\$175**

XFW14 4"x.75" Plastic Wheel w/Poly Tire (Not available with Power Adaptable Frame or Heavy Duty Frame) **NCO**

XFW3 4"x.75" Light-Up Micro-Caster (Not available with Power Adaptable Frame or Heavy Duty Frame.) **\$80**

XFW26 4"x1.5" LiteSpeed Plastic Wheel w/Soft Roll Tire (Not available with Power Assist, Power Add-on System or Heavy Duty Frame.) **\$95**

XFW27 4"x1.5" LiteSpeed Billet Aluminum Wheel w/Soft Roll Tire Silver Hub **OR** Black Hub **\$185**

XFW6 5"x1" Plastic Wheel w/Poly Tire (Not available with Power Adaptable Frame, Heavy Duty Frame or with 90° Front Angle ④.) **NCO**

XFW28 5"x1.5" LiteSpeed Plastic Wheel w/Soft Roll Tire (Not available with Power Adaptable Frame, Heavy Duty Frame or 90° Front Angle ④.) **\$95**

XFW30 5"x1.5" LiteSpeed Billet Aluminum Wheel w/Soft Roll Tire Silver Hub **OR** Black Hub (Not available with 90° Front Angle ④.) **\$205**

XFW9 6"x1" Plastic Wheel w/Poly Tire (Not available with Power Adaptable Frame, Heavy Duty Frame or 85° or 90° Front Angle ④.) **NCO**

XFW32 6"x1.5" LiteSpeed Plastic Wheel w/Soft Roll Tire (Not available with Power Adaptable Frame, Heavy Duty Frame, 85° or 90° Front Angle ④.) **\$100**

XFW33 6"x1.5" LiteSpeed Billet Aluminum Wheel w/Soft Roll Tire Silver Hub **OR** Black Hub (Not available with 85° or 90° Front Angle ④.) **\$215**

XFW16 8"x1" Plastic Wheel w/Poly Tire (Not available with Power Assist, Power Add-on, Heavy Duty Frame or 12"-14" Seat Depths. Available with 70° Front Angle ④ only.) **NCO**

CUSTOM CONFIGURATION OPTIONS

FRONT FORKS

- XFK1 TiLite Standard Fork **STD**
 XGL1 Out-Front Glide™ Suspension Fork (Available in Black anodize only. Not available with 8" Front Wheels or Heavy Duty Frame) **\$480**
 Rider's Weight: 125 lbs. 125-180 lbs. 180-265 lbs.

ONE ARM DRIVE

- XOAD1 One Arm Drive (Available with 24" Mag Wheels only. Rear Seat Height, Camber or axle restrictions may apply.) **\$1,235**
 Drive Handrim Side (Available with standard aluminum handrim only.) Install on Left Install on Right

STANDARD REAR WHEELS (See Rear Seat Height Ranges Chart on Page 2 for Rear Seat Height Ⓢ limitations.)

- XRW14 TiLite SHADOW™ **STD**
 22"(501)
 24"(540)
 25"(559) (Requires 15" minimum Seat Depth Ⓢ.)
 26"(590) (Requires 15" minimum Seat Depth Ⓢ.)

PERFORMANCE REAR WHEELS (See Rear Seat Height Ranges Chart on Page 2 for Rear Seat Height Ⓢ limitations.)

- XRW7 Spinergy® SPOX Black Red Blue White **\$735**
 22"(501) - Std. Hub
 24"(540) - Std. Hub
 25"(559) - Std. Hub (Requires 15" minimum Seat Depth Ⓢ.)
 26"(590) - Sport Hub (Requires 15" minimum Seat Depth Ⓢ. Not available with Quad Release Axles.)
 XRW8 Spinergy® LX (Available with Heavy Duty Frame only when 0 or 2 degree camber is selected.) **\$995**
 Black Red Blue White Bright Orange Flamingo Pink Purple
 22"(501) - Std. Hub
 24"(540) - Std. Hub
 25"(559) - Std. Hub (Requires 15" minimum Seat Depth Ⓢ.)
 26"(590) - Sport Hub (Requires 15" minimum Seat Depth Ⓢ. Not available with Quad Release Axles.)
 XRW16 Spinergy® Carbon Blade (Not available with Heavy Duty Frame.) **\$1,480**
 24"(540)
 25"(559) (Requires 15" minimum Seat Depth Ⓢ.)
 XRW17 X-Core Mag (Not available with Heavy Duty Frame, Short Tabs, Quad Release Axles, Spoke Guards or Omit Handrims Option. Requires Aluminum Silver Anodized Handrims.) **\$115**
 22"(501)
 24"(540)

AXLES

- XAXL1 Stainless Quick Release **STD**
 XAXL2 Titanium Quick Release **\$260**
 XAXL3 Quad Release (Not available with Mag or 26"(590) Spinergy Spox or Spinergy LX Rear Wheels.) **\$155**

PNEUMATIC REAR TIRES

- XRTR1 Treaded (Not available with 25"(559) Rear Wheels.) **STD**
 XRTR2 Airless Inserts **\$95**
 XRTR3 25"(559) Primo Treaded (Standard with 25"(559) Rear Wheels.) **STD**
 XRTR4 Primo **NCO**
 XRTR8 24"(540), 25"(559) and 26"(590) Schwalbe® Marathon Plus Evolution **\$105**
 XRTR9 24"(540) and 25"(559) Schwalbe® Slick **\$105**
 XRTR24 24"(540) Kenda Kobra Knobby **\$90**

SOLID REAR TIRES

- XRTR22 22"(501), 24"(540) and 25"(559) Primo Express (Not available with Spinergy Carbon Blade Rear Wheels.) **\$110**
 XRTR23 24"(540) and 25"(559) Primo Active **\$135**

HANDRIMS

- XRIM1 Aluminum – Silver Anodized **STD**
 XRIM21 Aluminum – Black Anodized **\$55**
 XRIM12 Titanium – Satin Finish (Not available with 20"(451) or 22"(501) Rear Wheels, or 24"(540) Knobby tires.) **\$450**

Handrims by OUT-FRONT®

- XRIM10 The Surge (All-In-One Oval with Gription™ Strip, Larger Profile) **\$365**
 XRIM11 The Surge LT (All-In-One Oval with Gription™ Strip, Smaller Profile) **\$395**
 XRIM20 Q-Grip (Exclusive High-Friction, Anti-Slip Coating) **\$335**

The Natural-Fit® (Original, Larger Profile) (Not available with 20"(451) Rear Wheels.)

- TRIM14 Standard Grip (Not available with Short Tabs or Spinergy Carbon Blade Rear Wheels.) **\$355**
 TRIM15 Super Grip (Not available with Short Tabs or Spinergy Carbon Blade Rear Wheels.) **\$400**
 TRIM16 Without Thumb Grip **\$330**

The Natural-Fit® LT (Reduced Weight, Smaller Profile) (Not available with 20"(451) Rear Wheels.)

- TRIM17 Standard Grip (Not available with Short Tabs or Spinergy Carbon Blade Rear Wheels.) **\$385**
 TRIM18 Super Grip (Not available with Short Tabs or Spinergy Carbon Blade Rear Wheels.) **\$440**
 TRIM19 Without Thumb Grip **\$360**

CUSTOM CONFIGURATION OPTIONS

Additional Handrim Options

XRIM5	<input type="checkbox"/> Plastic Coated – Black.....	\$130
XRIM22	<input type="checkbox"/> Omit Handrims.....	NCO

Tab Length

XRIM7	<input type="checkbox"/> Long Tabs.....	STD
XRIM8	<input type="checkbox"/> Short Tabs (Not available with Mag Rear Wheels or The Natural-Fit® Handrims with Thumb Grip.).....	\$20

WHEEL LOCKS

Wheel Locks by OUT-FRONT® (Composite wheel locks not always compatible with 12"-13" Seat Depth. Uni-locks will be substituted at no charge.)

XWLK7	<input type="checkbox"/> Compact Composite Push to Lock.....	NCO
XWLK8	<input type="checkbox"/> Compact Composite Pull to Lock.....	NCO
XWLK10	<input type="checkbox"/> Extension Handles for Compact Composite Push/Pull to Lock.....	\$90
XWLK9	<input type="checkbox"/> Composite Scissor Lock (Not available on Aero X2 Swing Away.).....	\$145

Additional Wheel Locks

XWLK3	Uni-Lock Set At: <input type="checkbox"/> Push OR <input type="checkbox"/> Pull.....	\$165
XWLK4	<input type="checkbox"/> Extension Handles for Uni-Lock.....	\$90
XWLK15	<input type="checkbox"/> Grade Aids Push to Lock (Not available with solid rear tires.).....	\$180

BACK UPHOLSTERY

XBUP1	<input type="checkbox"/> Padded Nylon (Black Only. Not available with Heavy Duty Frame, Folding Back, Folding Stabilizer Bar, Depth Adjustable Frame, Fold-Down Push Handles or Ultrasuede Backrest Stripe.).....	STD
-------	-------------------------------------------------------------------------------------------------------------------------------------------------------------------------------------------------------------------	-----

Tension Adjustable by Straps (Included with Heavy Duty Frame. Required with Aluminum Fendered Side Guards and Fold-Down Push Handles.)

XBUP3	<input type="checkbox"/> Padded Nylon.....	\$110
XBUP5	<input type="checkbox"/> AIR Breathable Upholstery (Not available with Ultrasuede Backrest Stripe.).....	\$195
XUPC3	Ultrasuede Backrest Stripe <input type="checkbox"/> Black (Not available with Padded Nylon or AIR Breathable Back Upholstery.).....	\$100
XBUP0	<input type="checkbox"/> Omit Back Upholstery.....	NCO

SEAT UPHOLSTERY

XSUP4	<input type="checkbox"/> Tension Adjustable (Black only).....	STD
XSUP0	<input type="checkbox"/> Omit Seat Upholstery.....	NCO

SIDE GUARDS

Aluminum

XSDG2	<input type="checkbox"/> Rigid Removable <input type="checkbox"/> Small OR <input type="checkbox"/> Std.....	\$195
XSDG3	<input type="checkbox"/> Quad Removable w/Hole <input type="checkbox"/> Small OR <input type="checkbox"/> Std.....	\$205
XSDG6	<input type="checkbox"/> Fendered Adjustable (Requires Tension Adjustable by Straps Back Upholstery. Not available with Angle-Adjustable Fold-Down Seat Backs.).....	\$335

Carbon Fiber

XSDG7	<input type="checkbox"/> Rigid Removable <input type="checkbox"/> Small OR <input type="checkbox"/> Std.....	\$305
XSDG8	<input type="checkbox"/> Quad Removable w/Hole <input type="checkbox"/> Small OR <input type="checkbox"/> Std.....	\$315
XSDG11	<input type="checkbox"/> Fendered Adjustable (Requires Tension Adjustable by Straps Back Upholstery. Not available with Angle-Adjustable Fold-Down Seat Backs.).....	\$450

ARMRESTS (Desk Arms come with built-in Side Guards.)

XARM1	Swing Away Tubular (Not available with Heavy Duty Frame, Folding Stabilizer Bar with Short or Medium Seat Back Height ranges or Depth Adjustable Back.).....	\$215
	<input type="checkbox"/> 9" - 12" OR <input type="checkbox"/> 12" - 15"	
XARM4	<input type="checkbox"/> Swing Away - Flip Back Tubular (Not available with Heavy Duty Frame, Folding Stabilizer Bar or Depth Adjustable Back.).....	\$310
XARM2	Removable Height Adjustable Desk Arm with Rigid Side Guard (Requires 14" minimum Seat Depth Ⓢ .).....	\$335
	<input type="checkbox"/> 9" to 12" OR <input type="checkbox"/> 12" to 15"	
	<input type="checkbox"/> Standard Length Pad (10") OR <input type="checkbox"/> Full Length Pad (14")	
XARM3	Removable Height Adjustable Desk Arm with Rigid Side Guard and Transfer Loop (Requires 16" minimum Seat Depth Ⓢ .).....	\$365
	<input type="checkbox"/> 9" to 12" OR <input type="checkbox"/> 12" to 15"	
	<input type="checkbox"/> Standard Length Pad (10") OR <input type="checkbox"/> Full Length Pad (14")	

Available Armrest Option

XARM5	<input type="checkbox"/> Covered in Black Ultrasuede (Not available with Desk Arms).....	\$110
-------	------------------------------------------------------------------------------------------	-------

CUSTOM CONFIGURATION OPTIONS

SEAT BELTS

XBLT1	<input type="checkbox"/> Velcro Adjustable, Black Nylon Webbing.....	\$45
XBLT2	<input type="checkbox"/> Bodypoint® 2" Push-Button Buckle (Auto-Style.).....	\$100
XBLT4	<input type="checkbox"/> Bodypoint® 1" Wide Push-Button Buckle Padded (Auto-Style.) (Not available with 19" - 22" Rear Seat Widths A .).....	\$185
XBLT5	<input type="checkbox"/> Bodypoint® 1.5" Wide Push-Button Buckle Padded (Auto-Style.) (Not available with 19" - 22" Rear Seat Widths A .).....	\$175
XBL10	<input type="checkbox"/> Bodypoint® Optional Band Clamp Mounting Hardware.....	\$20

CALF STRAP

XCLF2	Velcro Adjustable.....	\$35
	<input type="checkbox"/> Small (Recommended for 9"- 12" Footrest Widths)	
	<input type="checkbox"/> Medium (Recommended for 11"- 15" Footrest Widths)	
	<input type="checkbox"/> Large (Recommended for 14"- 17" Footrest Widths)	
	<input type="checkbox"/> Xtra Large (Recommended for 16"- 19" Footrest Widths)	
XCLF3	Bodypoint® Padded Velcro Adjustable.....	\$105
	<input type="checkbox"/> Medium (Recommended for 12"- 15" Footrest Widths)	
	<input type="checkbox"/> Large (Recommended for 16"- 20" Footrest Widths)	
XCLF1	<input type="checkbox"/> Buckle Adjustable, Black Nylon Webbing.....	\$25

RESIDUAL LIMB SUPPORT

XRSL1	<input type="checkbox"/> Residual Limb Support (8" width x 10" length).....	\$405
XRSL2	<input type="checkbox"/> Residual Limb Support Pair (8" width x 10" length).....	\$815

BACK PACK

XBCK3	<input type="checkbox"/> Black Permobil Back Pack.....	\$95
-------	--------------------------------------------------------	------

SEAT POUCH

XPCH3	<input type="checkbox"/> Black Permobil Seat Pouch.....	\$55
-------	---------------------------------------------------------	------

SPOKE GUARDS

XGRD1	<input type="checkbox"/> Clear with TiMotion Logo (Not available with Mag Rear Wheels.).....	\$135
-------	----------------------------------------------------------------------------------------------	-------

ANTI-TIPS

XTIP1	<input type="checkbox"/> Rear Aluminum - Black.....	\$160
XTIP7	<input type="checkbox"/> Black Aluminum Single.....	\$80
	Mount on <input type="checkbox"/> Left OR <input type="checkbox"/> Right.....	NCO
XTIP2	<input type="checkbox"/> User Friendly Flip-up.....	\$335
TWTIP8	<input type="checkbox"/> User Friendly Flip up Single (Requires 12" to 14" or 13" to 15" Seat Widths Ø range.).....	\$165
	Mount on <input type="checkbox"/> Left OR <input type="checkbox"/> Right.....	NCO
XTIP9	<input type="checkbox"/> Tip Assist.....	\$105

ACCESSORIES

XUEST1	Upper Extremity Support Tray <input type="checkbox"/> 12" to 14" OR <input type="checkbox"/> 13" to 15" Seat Widths A (Requires Armrests.).....	\$285
XLUG1	<input type="checkbox"/> Luggage Carriers (Not available with High Mount Swing Away Footrests or 1-Piece Flip-up Footrest.).....	\$145
XMPCT2	Neoprene Impact Guards with Ultrasuede Stripe (Not available with High Mount Footrests, 90° Hangers or Elevating Leg Rest.) <input type="checkbox"/> Black.....	\$105
XCH1	<input type="checkbox"/> Crutch Holder.....	\$145

GENERAL

More options and frame modifications may be available through our Creative Mobility Division! Please contact customer service for details or [click here](#) to view options.

Permobil manufactures TiLite manual wheelchairs in a wide variety of configurations to meet the varied needs of wheelchair users. The final selection of a particular model, its options and accessories, and its measurements rests solely with the wheelchair user and advising healthcare professional. These wheelchairs must be fitted by a qualified healthcare professional. HCPCS Codes are for reference purposes only. Actual coding and coverage varies by payer. Proper HCPCS coding is not a guarantee of payment. Please verify the appropriate payer's coverage policy.

Get the latest order forms at permobilus.com. Prices, standard features, options and accessories are subject to change without notice. All rights reserved. Trademarks are identified by symbols™ and ®. TiLite, TiFit, the TiLite logo, Ti, the Ti logo, and TiShaft are registered trademarks of TiSport, LLC and are licensed to Permobil. Permobil® is a registered trademark of Permobil. Adobe®, Acrobat®, Acrobat Professional® and Reader® are registered trademarks of Adobe Systems Inc. Bodypoint® is a registered trademark of Bodypoint Inc. Kenda® is a registered trademark of Kenda Rubber Industrial Co. Ltd. ROHO®, AGILITY®, Low Profile® and Quadro Select® are registered trademarks of ROHO Inc. Schwalbe® is a registered trademark of Ralf Bohle GmbH. The Natural-Fit® and Out-Front® are registered trademarks of Three Rivers Holdings, LLC. The ACTA-BACK®, ACTA-EMBRACE™, COMFORT-TEK™, COMPASS®, CURVE®, ELEMENTS®, and STRETCH AIR™ are registered trademarks of THE COMFORT COMPANY® and are licensed to Permobil. Q'Strain® is a registered trademark of Q'Strain Inc.

QUOTE THIS CHAIR

If you are using Adobe Acrobat, this order form may be converted into a quote request or into an order by clicking one of the buttons (this feature is available exclusively to Permobil dealers and distributors). A Quote or an Order Confirmation will be sent to you within 24 hours.

ORDER THIS CHAIR