

# TiLite Aero X Order Form

Effective Oct 4, 2021 (New Items in Red)

FOLDING FRAME

Page 1 of 7

PROVIDER INFORMATION		RTS INFORMATION		
PROVIDER:	Account #:	RTS:	Phone:	
PO:	Ordered By:	Email:		
Email:		SHIP TO INFORMATION		
Mark For:	User Weight:	Name:	Ship Via:	
TiLite Sales Rep:		Address:		
<b>TiLite Information:</b>	Promo Code:	City:	State:	Zip:
Ship Date:	Order #:	Phone:	Fax:	

More options and frame modifications may be available through our Creative Mobility Division! Please contact customer service for details or [click here](#) to view options.

**Please Email or Fax to the Permobil Manual Customer Service Team at [tilitesales@permobil.com](mailto:tilitesales@permobil.com) or 800 736 0925, option 2**

## FRAME STYLE

- AXFS1  **Aero X Aluminum Frame** (Full Adjustability. 265 Pound Weight Limit.).....\$2,390 K0005
- G2FS1  **2GX Titanium Frame Upgrade** (Full Adjustability. 265 Pound Weight Limit. Light Weight, High Strength and Vibration Dampening. Not Available with Frame Transit Tie-Down.).....\$1,875
- XFS1  **Swing Away**.....STD K0005
- XFS3  **Hemi Height Frame** (Available with a Front Seat Height of 13.5" - 20" (34-51cm). Not Available with Depth Adjustable Back/Frame, 12" or 13" Seat Depth or Heavy Duty Frame.).....NCO
- XFS2  **Fixed Front**.....NCO K0005
- XHDR1  **Heavy Duty Frame** (350 Pound Weight Limit. Includes Tension Adjustable by Straps Back Upholstery. Available with 18" to 22" Seat Widths and 16" to 20" Seat Depths. Not Available with 90° front end).....\$435
- XPWR1  **Power Adaptable Frame** (No charge when 20" Rear Seat Width A and 20" Seat Depth B are selected. Requires LiteSpeed Billet Aluminum Front Wheels and 0 degree Camber. Not available with Single-Sided Forks).....\$340
- XRFR1  **Reinforced Frame** (No charge when 20" Rear Seat Width and 20" Seat Depth are selected.).....\$340

## SMARTDRIVE POWER ASSIST SYSTEM

- XMAXSD1  **Permobil Smart Drive MX2+** (SwitchControl comes standard. Not available with rear seat heights less than 13.5").....\$7,131 E0986
- XMAXSD6  **NEW** PushTracker E2 OR XMAXSD7  PushTracker OR  **No PushTracker required**.....NCO
- XMAXSD8  SwitchControl Button with Mono Jack Option.....\$150
- XMAXSD4  Carrying Bag.....\$78
- ZMAXSD5  **NEW** Universal padded handle.....\$20

## TRANSIT OPTIONS

- XTTDO1  **Aluminum Frame Transit Tie-Down** (Consists of four Tie-Down Brackets. Not Available with 2GX2, Heavy Duty Frame, Hemi Height Frame, Swing Away Tubular Armrests or Swing Away- Flip Back Tubular Armrests. Requires a Folding Stabilizer Bar unless a Depth Adjustable Backrest is selected. Requires minimum seat depth of 14". Please refer to the Aero X Transit Tie-Down Option Brochure for important information regarding the Transit Tie-Down Options.).....\$335
- XWTB  **Transport Bracket Option** (Consists of four Tie-Down Brackets. Unoccupied Use Only.) (Not Available when Swing Away frame and Heavy Duty Frame are both selected. Not available with Swing Away Tubular Armrest or Swing Away -Flip Back Tubular Armrests. Requires a minimum seat depth of 14" or 15" seat Depth with Hemi Height Frame.).....\$350

## FRAME FINISHES

### Natural Finishes

- XFF1  **Satin** (Available with Titanium Frame only.).....STD
- XSCBT1  **Satin Finish Buffing Pads**.....\$20
- XFF3  **Tattoos** (Tattoos on front frame tubes. Titanium frame finished in Satin . Aluminum frame tattooed in blasted aluminum with clear coat. Tattoos will be trimmed and adjusted to fit your frame.).....\$335
- XFF45  **Need For Speed**
- XFF44  **Flower Garden**



XFF43  **Mosaic**



- High Gloss Paint**  **XFF8 High Gloss Black**  XFF10 TiLite Red  XFF29 Neon Pink
- Metallic Paint**  XFF14 Ocean Blue Metallic  XFF15 Tangerine Metallic  XFF30 Acid Green Metallic
- Pearlescent Paint**  XFF17 Midnight Blue Pearl  XFF18 White Pearl
- Matte Paint**  XFF19 Black Lava  XFF27 Titanium Grey
- Candy Paint**  XFF22 Ruby Red  XFF23 Azure Blue  XFF25 Electric Plum
- Matte Textured Paint**  XFF40 Hyper Blue  XFF41 Flame Orange  XFF42 OD Green.....STD



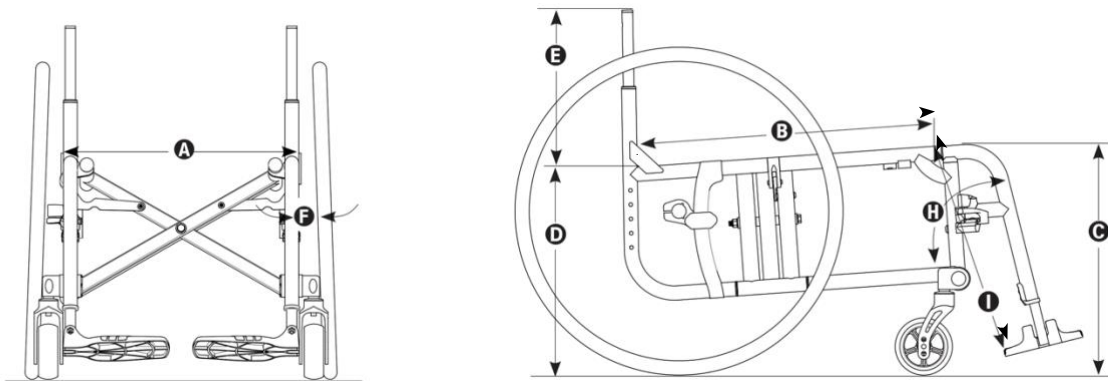
Permobil.com  
2701 West Court Street / Pasco, Washington 99301  
Tel 800 736 0925 or Email [tilitesales@permobil.com](mailto:tilitesales@permobil.com)

# TiLite Aero X Order Form

## FRAME MEASUREMENTS

**SEAT WIDTH A** Measure from outside of seat tube at back post to the outside of the opposite seat tube at back post.

- XSW1  12"  13"  14"  15"  16"  17"  18"  19" ..... **STD**  
 XSW2  20"  21"  22" (21" and 22" Seat Widths A are only available with Heavy Duty Frame.) ..... **\$495 E2201**



**SEAT DEPTH B** Measure from 1/2" in front of back post to the front edge of seat sling. (12"-14" Seat Depths B not available with 25" (559) and 26" (560) Rear Wheels.)

- XSD1  12"  13"  14"  15"  16"  17"  18"  19" ..... **STD**  
 XSD2  20" ..... **\$525 E2203**  
 XSD3  Custom Frame Depth: \_\_\_\_\_" Frame Depth Longer Than Seat Depth (Use 1" increments with a maximum of 2". A Custom Frame Depth with a maximum of 20" is \$475.) ..... **NCO**

**FRONT SEAT HEIGHT C** Measure from floor to top of seat tube at front edge of seat sling. Adjustable in 1/2" increments. (13.5" - 14" Front Seat Height C requires Hemi Height Frame Style. 20.5" - 21.5" Front Seat Height C not available with Hemi Height Frame Style.)

### FRONT SEAT HEIGHT RANGES

Front Wheel Size	Front Seat Height C	Hemi Front Seat Height C
3" Front Wheel	14.5" - 18.5"	13.5" - 17.5"
3" Front Wheel w/ Glide™	16.5" - 17.5"	15.0" - 17.0"
4" Front Wheel	15.5" - 19.0"	14.5" - 18.0"
4" Front Wheel w/ Glide™	17.0" - 18.0"	15.5" - 17.0"
5" Front Wheel	16.5" - 19.5"	16.0" - 18.5"
5" Front Wheel w/ Glide™	17.5" - 18.5"	16.5" - 18.0"
6" Front Wheel	17.5" - 20.0"	16.5" - 19.0"
6" Front Wheel w/ Glide™	19.0"	17.5" - 18.0"
8" Front Wheel	19.5" - 21.0"	18.5" - 19.5"

- XFSH1  13.5"  14"  14.5"  15"  15.5"  16"  16.5"  17.0"  16.5"  16.5"  17.0"  
 17.5"  18.0"  18.5"  19.0"  19.5"  20.0"  20.5"  21.0" ..... **NCO**

**REAR SEAT HEIGHT D** Measure from floor to top of seat tube at back post. Adjustable in 3/8" increments.

Rear Wheel Size	Rear Seat Height
22"	13.0" - 18.0"
24"	14.0" - 19.0"
25"	14.0" - 19.0"
26"	15.0" - 20.0"

- XRSH1  13"  13.5"  14"  14.5"  15"  15.5"  16"  16.5"  17"  17.5"  18"  18.5"  
 19"  19.5"  20" ..... **NCO**

## BACK SUPPORTS

**ROHO® AGILITY® Standard Minimum Contour Back Support** (Comes standard with quick release hardware.)

- Shell Height  10"  13"  16"  18"  
 BRS5  Foam ..... **\$474 E2611**  
 BRS6  Foam + Lumbar ..... **\$567 E2613**  
 BRS7  Foam w/ Air Insert ..... **\$662 E2620**  
 BRS8  Foam w/ Air Insert + Lumbar ..... **\$662 E2615**

**ROHO® AGILITY® Standard Mid Contour Back Support** (Comes standard with quick release hardware.)

- Shell Height  10"  13"  16"  18"  
 BRS9  Foam w/ Air Insert ..... **\$673 E2620**  
 BRS10  Foam w/ Air Insert + Lumbar ..... **\$673 E2615**

# TiLite Aero X Order Form

## BACK SUPPORTS

### COMFORT ACTA-EMBRACE® Back Support

Shell Height  10"  12"  14"  16"

- SBR516  Acta-Embrace Back with 2-PT Quick Release Compass Hardware..... **\$546** E2613  
 CP5B1  Comfort Privacy Shield..... **\$37**

### COMFORT ACTA-RELIEF Back Support

Shell Height  10"  12"  14"  16"

- SBR513  Acta-Relief Back with 2-PT Quick Release Compass Hardware..... **\$746** E2615  
 CP5B1  Comfort Privacy Shield..... **\$37**

**SEAT BACK HEIGHT E/SEAT BACK/PUSH HANDLES** Measure from top of back post to top of seat tube at rear of frame.

### SEAT BACK TYPE

- XSB13  Fixed Angle, Adjustable-Height Seat Back..... **STD**  
 XLB1  Folding Stabilizer Bar (Required with Transit Tie-Down Option unless Depth Adjustable Backrest is selected. Includes Tension Adjustable by Strap Back Upholstery.)..... **\$390**  
 XSB14  Fixed Angle, Adjustable Height Seat Back w/8-Degree Bend. (Not available with Heavy Duty Frame.)..... **NCO**  
 XSB18  Folding Adjustable-Angle and Height Seat Back (Not available with Heavy Duty Frame or Ride Designs® Corbac™.)..... **\$230**  
 XSB16  Depth Adjustable Back/Frame (Not Available with Hemi Height Frame, Heavy Duty Frame, 19" or 20" Seat Depths B, Swing Away Tubular or Swing Away Flip-Back Armrest. Seat Depths B of 12"-17" allow 3" of rearward adjustment. Seat Depth B of 18" allow 2" of rearward adjustment. Requires Tension Adjustable Seat Upholstery.)..... **NCO**

### PUSH HANDLES

- XSB6  Integrated Push Handles..... **NCO**  
 XSB7  Integrated Fold-Down Push Handles (Requires Tension Adjustable by Straps Back Upholstery. Not available with Heavy Duty Frame.)..... **\$115**  
 XSB9  Bolt-On Height Adjustable Push Handles (Requires Tension Adjustable by Straps Back Upholstery. Not available with Heavy Duty Frame, Folding Adjustable-Angle and Height Seat Back, Swing Away Tubular Armrests or Swing Away - Flip Back Tubular Armrests.)..... **\$335**

XSB20/XSB14 **FIXED ANGLE ADJUSTABLE SEAT BACK HEIGHT E** (11"- 15" Fixed Seat Back Height not available with Heavy Duty Frame, Swing Away Tubular Arms 12"-15", Bolt-On Height Adjustable Push Handles or Folding Stabilizer Bar.)

#### Push Handles (Selected on Pg. 2)

	Short	Tall	Set at: (Use 1" Increments)
None	<input type="checkbox"/> 11.0"- 15.0"	<input type="checkbox"/> 16"- 20"	Set at: _____
Integrated	<input type="checkbox"/> 11.0"- 15.0"	<input type="checkbox"/> 16"- 20"	Set at: _____
Integrated Fold-Down	<input type="checkbox"/> 11.0"- 15.0"	<input type="checkbox"/> 16"- 20"	Set at: _____
Bolt-On Height Adj.	-----	<input type="checkbox"/> 16"- 20"	Set at: _____

XSB18 **FOLDING ADJUSTABLE- ANGLE AND HEIGHT SEAT BACK E** (Not available with a Folding Stabilizer Bar or Heavy Duty Frame)

#### Push Handles (Selected on Pg. 2)

	Short	Medium	Tall	Set at: (Use 1" Increments)
None	<input type="checkbox"/> 11.0" – 13.0"	<input type="checkbox"/> 13.5" – 16.5"	<input type="checkbox"/> 16.5" – 19.5"	Set at: _____
Integrated	<input type="checkbox"/> 12.5" – 14.5"	<input type="checkbox"/> 13.5" – 16.5"	<input type="checkbox"/> 17.0" – 19.5"	Set at: _____
Integrated Fold-Down	<input type="checkbox"/> 15.0" – 17.0"	<input type="checkbox"/> 16.0" – 19.0"	<input type="checkbox"/> 18.5" – 20.5"	Set at: _____

## FRAME MEASUREMENTS

### CAMBER F

- XCBR8  0°  2°  4°  6°..... **STD**

**FRONT ANGLE H** Front Angle H is measured from inside of front frame tube to top of bottom frame tube.

### Swing Away Front End

- XFA3  70°  80°  85° (Not available with 6" Front Wheels.)  90° (Requires aluminum footplate. Not available with Heavy Duty Frame, 5" or 6" Front Wheels.)..... **STD**  
 XFA0  Omit Hangers..... **NCO**

### Fixed Front End

- XFA6  70°  80°  85° (85° Not available with 6" Front Wheels.)..... **STD**

**SEAT TO FOOTREST I** Measure from front edge of seat sling to top rear of footrest.

**If your Front Angle H is 70°, 80°, OR 85° select one Seat to Footrest I length and one Footrest I type:**

**Standard Footrests** Measurement must be at least 2" shorter than Front Seat Height C. 70° Fixed Front has a minimum seat to footrest of 14.5"

14"  14.5"  15"  15.5"  16"  16.5"  17"  17.5"  18"  18.5"  19"  19.5"  20"

- XFTR5  Flip-up Footrest..... **STD**  
 XFTR9  Depth Adjustable Flip-up Footrest..... **\$110** K0045  
 XFTR10  Depth & Angle Adjustable Flip-up Footrest (Available for 15"- 20" Seat to Footrest I only.)..... **\$270** K0040, K0045  
 XFTR11  Angle Adjustable Flip-up Footrest (Available for 15"- 20" Seat to Footrest I only.)..... **\$170** K0040, K0045

# TiLite Aero X Order Form

Effective Oct 4, 2021 (New Items in Red)

FOLDING FRAME

Page 4 of 7

## High Mount Footrests (Not Available with Luggage Carriers, or Impact Guards.)

7"  7.5"  8"  8.5"  9"  9.5"  10"  10.5"  11"  11.5"  12"  12.5"  13"  13.5"  14"  14.5"

XFTR20	<input type="checkbox"/> High Mount Flip-up.....	\$190	K0037
XFTR15	<input type="checkbox"/> Angle Adjustable High Mount Flip-up Footrest.....	\$325	K0040, K0037
XFTR16	<input type="checkbox"/> Depth & Angle Adjustable High Mount Flip-up Footrest.....	\$375	K0040, K0037

## Elevating Leg Rest

14"  15"  16"  17"  18"  19"  20"  21"

XFA5	<input type="checkbox"/> Single Depth Adjustable Flip-up Footrest - <input type="checkbox"/> Left OR <input type="checkbox"/> Right.....	\$170	E0990
XFTR17	<input type="checkbox"/> Depth Adjustable Flip-up Footrest - Pair.....	\$315	

**If your Front Angle H is 90°, select one Seat to Footrest I length and one Footrest type:**

7"  8"  9"  10"  11"  12"  13"

XFTR5	<input type="checkbox"/> Flip-up Footrest.....	STD	
XFTR9	<input type="checkbox"/> Depth Adjustable Flip-up Footrest.....	\$110	K0037
XFTR10	<input type="checkbox"/> Depth & Angle Adjustable Flip-up Footrest.....	\$270	K0040, K0037
XHLP1	<input type="checkbox"/> Heel Loops (Not available with 13" or narrower Seat Width A or 1-Piece Footrests.).....	\$50	E0951

## FRONT WHEELS (See Front Seat Height Ranges Chart on Page 2 for Front Seat Height C limitations.)

XFW24	<input type="checkbox"/> 3"x1.5" LiteSpeed Billet Aluminum Wheel w/Soft Roll Tire <input type="checkbox"/> Silver Hub OR <input type="checkbox"/> Black Hub.....	\$190	
XFW14	<input type="checkbox"/> 4"x.75" Plastic Wheel w/Poly Tire (Not available with Power Adaptable Frame or Heavy Duty Frame).....	NCO	
XFW3	<input type="checkbox"/> 4"x.75" Light-Up Micro-Caster (Not available with Power Adaptable Frame or Heavy Duty Frame.).....	\$80	
XFW26	<input type="checkbox"/> 4"x1.5" LiteSpeed Plastic Wheel w/Soft Roll Tire (Not available with Power Assist, Power Add-on System or Heavy Duty Frame.).....	\$95	
XFW27	<input type="checkbox"/> 4"x1.5" LiteSpeed Billet Aluminum Wheel w/Soft Roll Tire <input type="checkbox"/> Silver Hub OR <input type="checkbox"/> Black Hub.....	\$200	
XFW6	<input type="checkbox"/> 5"x1" Plastic Wheel w/Poly Tire (Not available with Power Adaptable Frame, Heavy Duty Frame or with 90° Front Angle H.).....	NCO	
XFW28	<input type="checkbox"/> 5"x1.5" LiteSpeed Plastic Wheel w/Soft Roll Tire (Not available with Power Adaptable Frame, Heavy Duty Frame or 90° Front Angle H.).....	\$95	
XFW30	<input type="checkbox"/> 5"x1.5" LiteSpeed Billet Aluminum Wheel w/Soft Roll Tire <input type="checkbox"/> Silver Hub OR <input type="checkbox"/> Black Hub (Not available with 90° Front Angle H.).....	\$215	
XFW9	<input type="checkbox"/> 6"x1" Plastic Wheel w/Poly Tire (Not available with Power Adaptable Frame, Heavy Duty Frame or 85° or 90° Front Angle H.).....	NCO	
XFW32	<input type="checkbox"/> 6"x1.5" LiteSpeed Plastic Wheel w/Soft Roll Tire (Not available with Power Adaptable Frame, Heavy Duty Frame, 85° or 90° Front Angle H.).....	\$100	
XFW33	<input type="checkbox"/> 6"x1.5" LiteSpeed Billet Aluminum Wheel w/Soft Roll Tire <input type="checkbox"/> Silver Hub OR <input type="checkbox"/> Black Hub (Not available with 85° or 90° Front Angle H.).....	\$225	
XFW16	<input type="checkbox"/> 8"x1" Plastic Wheel w/Poly Tire (Not available with Power Assist, Power Add-on, Heavy Duty Frame or 12"-14" Seat Depths. Available with 70° Front Angle H only.).....	NCO	

## FRONT FORKS

XFK1	<input type="checkbox"/> TiLite Standard Fork.....	STD	
XGL1	<input type="checkbox"/> Out-Front Glide™ Suspension Fork (Available in Black anodize only. Not available with 8" Front Wheels or Heavy Duty Frame).....	\$485	E1015
	Rider's Weight: <input type="checkbox"/> 125 lbs. <input type="checkbox"/> 125-180 lbs. <input type="checkbox"/> 180-265 lbs.		

## ONE ARM DRIVE

XOAD1	<input type="checkbox"/> One Arm Drive (Available with 24" Mag Wheels only. Rear Seat Height, Camber or axle restrictions may apply.).....	\$1,200	E0958
	Drive Handrim Side (Available with standard aluminum handrim only.) <input type="checkbox"/> Install on Left <input type="checkbox"/> Install on Right		

## STANDARD REAR WHEELS (See Rear Seat Height Ranges Chart on Page 2 for Rear Seat Height D limitations.)

XRW14	TiLite SHADOW™.....	STD	
	<input type="checkbox"/> 22"(501)		
	<input type="checkbox"/> 24"(540)		
	<input type="checkbox"/> 25"(559) (Requires 15" minimum Seat Depth B.)		
	<input type="checkbox"/> 26"(590) (Requires 15" minimum Seat Depth B.)		

## PERFORMANCE REAR WHEELS (See Rear Seat Height Ranges Chart on Page 2 for Rear Seat Height D limitations.)

XRW7	Spinergy® SPOX <input type="checkbox"/> Black <input type="checkbox"/> Red <input type="checkbox"/> Blue <input type="checkbox"/> White.....	\$845	
	<input type="checkbox"/> 22"(501) - Std. Hub		
	<input type="checkbox"/> 24"(540) - Std. Hub		
	<input type="checkbox"/> 25"(559) - Std. Hub (Requires 15" minimum Seat Depth B.)		
	<input type="checkbox"/> 26"(590) - Std. Hub (Requires 15" minimum Seat Depth B.)		
XRW8	Spinergy® LX (Available with Heavy Duty Frame only when 0 or 2 degree camber is selected.)		
	<input type="checkbox"/> Black <input type="checkbox"/> Red <input type="checkbox"/> Blue <input type="checkbox"/> White <input type="checkbox"/> Bright Orange <input type="checkbox"/> Flamingo Pink <input type="checkbox"/> Purple.....	\$1,060	
	<input type="checkbox"/> 22"(501) - Std. Hub		
	<input type="checkbox"/> 24"(540) - Std. Hub		
	<input type="checkbox"/> 25"(559) - Std. Hub (Requires 15" minimum Seat Depth B.)		
	<input type="checkbox"/> 26"(590) - Std. Hub (Requires 15" minimum Seat Depth B.)		

# TiLite Aero X Order Form

**ZRW9** New Spinerger Design Lab LX Wheels (If same color is selected, anodized hubs and rims match color anodized package on page 1. Available with black spokes only.)  
 Gold Anodize  Green Anodize  Blue Anodize  Red Anodize  Purple Anodize  Orange Anodize.....**\$1,260**  
 22"(501) - Std. Hub  
 24"(540) - Std. Hub  
 25"(559) - Std. Hub (Requires 15" minimum Seat Depth B.)  
 26"(590) - Std. Hub (Requires 15" minimum Seat Depth B.)

**XRW16** New Spinerger® Carbon Blade with 3k Weave Carbon Fiber (Not available with Heavy Duty Frame.).....**\$1,480**  
 24"(540)  
 25"(559) (Requires 15" minimum Seat Depth B.)

**XRW17** X-Core Mag (Not available with Heavy Duty Frame, Short Tabs, Quad Release Axles, Spoke Guards or Omit Handrims Option. Requires Aluminum Silver Anodized Handrims.).....**NCO**  
 22"(501)  
 24"(540)

**AXLES**

**XAXL1**  Stainless Quick Release.....**STD**  
**XAXL2**  Titanium Quick Release.....**\$255**  
**XAXL3**  Quad Release (Not available with Mag or 26"(590) Spinerger Spox or Spinerger LX Rear Wheels.).....**\$155**

**PNEUMATIC REAR TIRES**

**XRTR1**  Treaded 22"(501), 24"(540), and 26"(590) (Not available with 25"(559) Rear Wheels.).....**STD**  
**XRTR2**  Airless Inserts.....**\$90**  
**XRTR31**  New MBL SpeedLite 20"(451), 22"(501), 24"(540), 25"(559) and 26"(590).....**STD**  
**XRTR30**  24"(540), 25"(559) and 26"(590) Primo Sentinel.....**\$125**  
**XRTR8**  24"(540), 25"(559) and 26"(590) Schwalbe® Marathon Plus Evolution.....**\$140**  
**XRTR24**  24"(540) Kenda Kobra Knobby.....**\$95**

E2213

**SOLID REAR TIRES**

**XRTR22**  22"(501), 24"(540) and 25"(559) Primo Express (Not available with Spinerger Carbon Blade Rear Wheels.).....**\$110**  
**XRTR23**  24"(540) and 25"(559) Primo Active.....**\$135**

**HANDRIMS**

**XRIM1**  Aluminum – Silver Anodized.....**STD**  
**XRIM21**  Aluminum – Black Anodized.....**NCO**  
**XRIM12**  Titanium – Satin Finish (Not available with 20"(451) or 22"(501) Rear Wheels, or 24"(540) Knobby tires.).....**\$470**

**Handrims by OUT-FRONT®**

**XRIM10**  The Surge (All-In-One Oval with Gription™ Strip, Larger Profile).....**\$400**  
**XRIM11**  The Surge LT (All-In-One Oval with Gription™ Strip, Smaller Profile).....**\$430**  
**XRIM20**  Q-Grip (Exclusive High-Friction, Anti-Slip Coating).....**\$330**

**The Natural-Fit® (Original, Larger Profile) (Not available with 20"(451) Rear Wheels.)**

**TRIM14**  Standard Grip (Not available with Short Tabs or Spinerger Carbon Blade Rear Wheels.).....**\$395**  
**TRIM15**  Super Grip (Not available with Short Tabs or Spinerger Carbon Blade Rear Wheels.).....**\$430**  
**TRIM16**  Without Thumb Grip.....**\$360**

**The Natural-Fit® LT (Reduced Weight, Smaller Profile) (Not available with 20"(451) Rear Wheels.)**

**TRIM17**  Standard Grip (Not available with Short Tabs or Spinerger Carbon Blade Rear Wheels.).....**\$415**  
**TRIM18**  Super Grip (Not available with Short Tabs or Spinerger Carbon Blade Rear Wheels.).....**\$475**  
**TRIM19**  Without Thumb Grip.....**\$390**

**Additional Handrim Options**

**XRIM5**  Plastic Coated – Black.....**\$160**  
**XRIM22**  Omit Handrims.....**NCO**

**Tab Length**

**XRIM7**  Long Tabs.....**STD**  
**XRIM8**  Short Tabs (Not available with Mag Rear Wheels or The Natural-Fit® Handrims with Thumb Grip.).....**\$25**

**WHEEL LOCKS**

**Wheel Locks by OUT-FRONT®** (Composite wheel locks not always compatible with 12"-13" Seat Depth. Uni-locks will be substituted at no charge.)

**XWLK7**  Compact Composite Push to Lock.....**NCO**  
**XWLK8**  Compact Composite Pull to Lock.....**NCO**  
**XWLK10**  Extension Handles for Compact Composite Push/Pull to Lock.....**\$85**

E0961

**Additional Wheel Locks**

**XWLK11**  New MBL Composite Scissor Lock (Not available on Aero X2 Swing Away.).....**\$145**  
**XWLK3** Uni-Lock Set At:  Push **OR**  Pull.....**\$165**  
**XWLK4**  Extension Handles for Uni-Lock.....**\$85**  
**XWLK15**  Grade Aids Push to Lock (Not available with solid rear tires).....**\$175**

E0961

E0974

# TiLite Aero X Order Form

**BACK UPHOLSTERY** (Want more seating options? [Click here](#) to view the new TiLite Seating Order Form.)

XBUP1	<input type="checkbox"/> Padded Nylon (Black Only. Not available with Heavy Duty Frame, Folding Back, Folding Stabilizer Bar, Depth Adjustable Frame, Fold-Down Push Handles or Ultrasuede Backrest Stripe.)	STD	
	Tension Adjustable by Straps (Included with Heavy Duty Frame. Required with Aluminum Fendered Side Guards and Fold-Down Push Handles.)		
XBUP3	<input type="checkbox"/> Padded Nylon	\$340	E2611
XBUP5	<input type="checkbox"/> AIR Breathable Upholstery (Not available with Ultrasuede Backrest Stripe.)	\$340	E2611
XUPC3	Ultrasuede Backrest Stripe <input type="checkbox"/> Black (Not available with Padded Nylon or AIR Breathable Back Upholstery.)	\$105	
XBUP0	<input type="checkbox"/> Omit Back Upholstery	NCO	

**SEAT UPHOLSTERY**

XSUP4	<input type="checkbox"/> Tension Adjustable (Black only)	STD	
XSUP0	<input type="checkbox"/> Omit Seat Upholstery	NCO	

**SEAT CUSHION** (Want more seating options? [Click here](#) to view the new TiLite Seating Order Form.)

ZCSH2	<input type="checkbox"/> Comfort Curve Cushion (Stretch-Air cover)	\$100	E2601
ZCSH23	<input type="checkbox"/> Comfort Acta-Embrace™ Comfort-Tek Zero Elevation Cushion	\$363	E2607
XCSH15	<input type="checkbox"/> ROHO® Hybrid Elite SR™ Single Compartment Cushion (Fits seat widths 14" to 19")	\$498	E2622
XCSH14	<input type="checkbox"/> ROHO® QUADTRO SELECT® Cushion (Fits seat widths 14" to 19") Profile: <input type="checkbox"/> Low <input type="checkbox"/> Mid <input type="checkbox"/> High	\$482	E2624
XCSH16	<input type="checkbox"/> ROHO® Hybrid Select Cushion (Fits seat widths 14" to 18", and 20")	\$515	E2624
XCSH17	<input type="checkbox"/> Vicair Active O2 Low (Fits even seat widths A 14" to 20". Non-stock upcharges may apply)	\$476	E2624

**CUSTOM CONFIGURATION OPTIONS**

**SIDE GUARDS**

**Aluminum**

XSDG2	<input type="checkbox"/> Rigid Removable <input type="checkbox"/> Small <b>OR</b> <input type="checkbox"/> Std	\$200	
XSDG3	<input type="checkbox"/> Quad Removable w/Hole <input type="checkbox"/> Small <b>OR</b> <input type="checkbox"/> Std	\$215	
XSDG6	<input type="checkbox"/> Fendered Adjustable (Requires Tension Adjustable by Straps Back Upholstery. Not available with Angle-Adjustable Fold-Down Seat Backs.)	\$335	

**New 3k Weave Carbon Fiber**

XSDG7	<input type="checkbox"/> Rigid Removable <input type="checkbox"/> Small <b>OR</b> <input type="checkbox"/> Std	\$310	
XSDG8	<input type="checkbox"/> Quad Removable w/Hole <input type="checkbox"/> Small <b>OR</b> <input type="checkbox"/> Std	\$320	
XSDG11	<input type="checkbox"/> Fendered Adjustable (Requires Tension Adjustable by Straps Back Upholstery. Not available with Angle-Adjustable Fold-Down Seat Backs.)	\$565	

**ARMRESTS** (Desk Arms come with built-in Side Guards.)

XARM1	Swing Away Tubular (Not available with Heavy Duty Frame, Folding Stabilizer Bar with Short or Medium Seat Back Height ranges or Depth Adjustable Back.)	\$225	E0973
	<input type="checkbox"/> 9" - 12" <b>OR</b> <input type="checkbox"/> 12" - 15"		
XARM4	<input type="checkbox"/> Swing Away - Flip Back Tubular (Not available with Heavy Duty Frame, Folding Stabilizer Bar or Depth Adjustable Back.)	\$315	E0973
XARM2	Removable Height Adjustable DeskArm with Rigid Side Guard (Requires 14" minimum Seat Depth B.)	\$335	E0973
	<input type="checkbox"/> 9" to 12" <b>OR</b> <input type="checkbox"/> 12" to 15"		
	<input type="checkbox"/> Standard Length Pad (10") <b>OR</b> <input type="checkbox"/> Full Length Pad (14")		
XARM3	Removable Height Adjustable Desk Arm with Rigid Side Guard and Transfer Loop (Requires 16" minimum Seat Depth B.)	\$375	E0973
	<input type="checkbox"/> 9" to 12" <b>OR</b> <input type="checkbox"/> 12" to 15"		
	<input type="checkbox"/> Standard Length Pad (10") <b>OR</b> <input type="checkbox"/> Full Length Pad (14")		
	<b>Available Armrest Option</b>		
XARM5	<input type="checkbox"/> Covered in Black Ultrasuede (Not available with Desk Arms)	\$110	

**SEAT BELTS**

XBLT1	<input type="checkbox"/> Velcro Adjustable, Black Nylon Webbing	\$55	E0978
XBLT2	<input type="checkbox"/> Bodypoint® 2" Push-Button Buckle (Auto-Style.)	\$95	E0978
XBLT4	<input type="checkbox"/> Bodypoint® 1" Wide Push-Button Buckle Padded (Auto-Style.) (Not available with 19" - 22" Rear Seat Widths A.)	\$180	E0978
XBLT5	<input type="checkbox"/> Bodypoint® 1.5" Wide Push-Button Buckle Padded (Auto-Style.) (Not available with 19" - 22" Rear Seat Widths A.)	\$170	E0978
XBLT8	<input type="checkbox"/> Q'Straint® WC-19 Wheelchair-Anchored Pelvic Belt (Recommended for use with Transit Tie Down.)	\$200	E0978
XBL10	<input type="checkbox"/> Bodypoint® Optional Band Clamp Mounting Hardware	\$20	K0108
XBLT16	<input type="checkbox"/> Bodypoint® EvoFlex® Pelvic Stabilizer Push Button	\$185	E0978

**CALF STRAP**

XCLF2	Velcro Adjustable	\$40	K0038
	<input type="checkbox"/> Small (Recommended for 9" - 12" Footrest Widths)		
	<input type="checkbox"/> Medium (Recommended for 11" - 15" Footrest Widths)		
	<input type="checkbox"/> Large (Recommended for 14" - 17" Footrest Widths)		
	<input type="checkbox"/> Xtra Large (Recommended for 16" - 19" Footrest Widths)		
XCLF3	Bodypoint® Padded Velcro Adjustable	\$100	K0038
	<input type="checkbox"/> Medium (Recommended for 12" - 15" Footrest Widths)		
	<input type="checkbox"/> Large (Recommended for 16" - 20" Footrest Widths)		
XCLF1	<input type="checkbox"/> Buckle Adjustable, Black Nylon Webbing	\$30	K0038

**RESIDUAL LIMB SUPPORT**

# TiLite Aero X Order Form

Effective Oct 4, 2021 (New Items in Red)

FOLDING FRAME

Page 7 of 7

XRSL1	<input type="checkbox"/> Residual Limb Support (8" width x 10" length).....	\$395	E1020
XRSL2	<input type="checkbox"/> Residual Limb Support Pair (8" width x 10" length).....	\$790	E1020
<b>BACKPACK</b>			
XBCK3	<input type="checkbox"/> Permobil Medical Necessities Backpack.....	\$95	
<b>SEAT POUCH</b>			
XPCH3	<input type="checkbox"/> Permobil Medical Necessities Seat Pouch.....	\$60	
XPCH4	<input type="checkbox"/> Bodypoint® Mobility Bag.....	\$100	
<b>SPOKE GUARDS</b>			
XGRD1	<input type="checkbox"/> Clear with TiMotion Logo (Not available with Mag Rear Wheels.).....	\$135	K0065

## CUSTOM CONFIGURATION OPTIONS

<b>ANTI-TIPS</b>			
XTIP1	<input type="checkbox"/> Rear Aluminum - Black.....	\$160	E0971
XTIP2	<input type="checkbox"/> User Friendly Flip-up.....	\$335	E0971
XTIP9	<input type="checkbox"/> Tip Assist.....	\$105	E0971
<b>ACCESSORIES</b>			
XUEST1	Upper Extremity Support Tray <input type="checkbox"/> 12" to 14" <b>OR</b> <input type="checkbox"/> 13" to 15" Seat Widths A (Requires Armrests.).....	\$290	E0950
XLUG1	<input type="checkbox"/> Luggage Carriers (Not available with High Mount Swing Away Footrests or 1-Piece Flip-up Footrest.).....	\$145	
XMPCT2	Neoprene Impact Guards with Ultrasuede Stripe (Not available with High Mount Footrests, 90° Hangers or Elevating Leg Rest.) <input type="checkbox"/> Black.....	\$105	
XCH1	<input type="checkbox"/> Crutch Holder.....	\$225	
XAFP1	4" Logo Patch <input type="checkbox"/> Army <input type="checkbox"/> Navy <input type="checkbox"/> Air Force <input type="checkbox"/> Marines.....	\$105	

## GENERAL

More options and frame modifications may be available through our Creative Mobility Division! Please contact customer service for details or [click here](#) to view options.

Permobil manufactures TiLite manual wheelchairs in a wide variety of configurations to meet the varied needs of wheelchair users. The final selection of a particular model, its options and accessories, and its measurements rests solely with the wheelchair user and advising healthcare professional. These wheelchairs must be fitted by a qualified healthcare professional. HCPCS Codes are for reference purposes only. Actual coding and coverage varies by payer. Proper HCPCS coding is not a guarantee of payment. Please verify the appropriate payer's coverage policy.

**Get the latest order forms at permobilus.com.** Prices, standard features, options and accessories are subject to change without notice. All rights reserved. Trademarks are identified by symbols™ and ®. TiLite, TiFit, the TiLite logo, Ti, the Ti logo, and TiShaft are registered trademarks of TiSport, LLC and are licensed to Permobil. Permobil® is a registered trademark of Permobil. Adobe®, Acrobat®, Acrobat Professional® and Reader® are registered trademarks of Adobe Systems Inc. Bodypoint® is a registered trademark of Bodypoint Inc. Kenda® is a registered trademark of Kenda Rubber Industrial Co. Ltd. ROHO®, AGILITY®, Low Profile® and Quadro Select® are registered trademarks of ROHO Inc. Schwalbe® is a registered trademark of Ralf Bohle GmbH. The Natural-Fit® and Out-Front® are registered trademarks of Three Rivers Holdings, LLC. The ACTA-BACK®, ACTA-EMBRACE™, COMFORT-TEK™, COMPASS®, CURVE®, ELEMENTS®, and STRETCH AIR™ are registered trademarks of THE COMFORT COMPANY® and are licensed to Permobil. Q'Straint® is a registered trademark of Q'Straint Inc.

**QUOTE THIS CHAIR**

If you are using Adobe Acrobat, this order form may be converted into a quote request or into an order by clicking one of the buttons (this feature is available exclusively to Permobil dealers and distributors). A Quote or an Order Confirmation will be sent to you within 24 hours.

**ORDER THIS CHAIR**