

TiLite X-Series Canadian Order Form

Effective Oct 4, 2021 (New Items in Red)

FOLDING FRAME

Page 1 of 7

DEALER INFORMATION		RTS INFORMATION	
Dealer:	Account #:	RTS:	Phone:
PO:	Ordered By:	Email:	
Email:		SHIP TO INFORMATION	
Mark For:	User Weight:	Name:	Ship Via:
TiLite Sales Rep:		Address:	
TiLite Information:	Promo Code:	City:	Province: Postal Code:
Ship Date:	Order #:	Phone:	Fax:

More options and frame modifications may be available through our Creative Mobility Division! Please contact customer service for details or [click here](#) to view options.

Please Email or Fax to the Permobil Manual Customer Service Team at tilitesales@permobil.com or 866-586-2413

FRAME STYLE

- AXFS1 **Aero X2 Aluminum Frame** (Full Adjustability. 265 (120.2kg) Pound Weight Limit.)..... **\$2,965**
- GXFS4 **2GX2 Titanium Frame** (Full Adjustability. 265 (120.2kg) Pound Weight Limit. Light Weight, High Strength and Vibration Dampening. Not Available with Frame Transit Tie-Down.)..... **\$4,830**
- XFS1 **Swing Away**..... **STD**
- XFS3 **Hemi Height Frame** (Available with a Front Seat Height of 13.5" - 20" (34.3-50.8cm). Not Available with Depth Adjustable Back/Frame, 12" or 13" (30.5cm or 33cm) Seat Depth or Heavy Duty Frame.)..... **NCO**
- XFS2 **Fixed Front**..... **NCO**
- XHDR1 **Heavy Duty Frame (350 (158.75kg) Pound Weight Limit.** Includes Tension Adjustable by Straps Back Upholstery. Available with 18" to 22" (45.7 to 55.9cm) Seat Widths & 16" to 20" (40.6 to 50.8cm) Seat Depths. Not Available with 90° front end) **\$550**
- XRRFR1 **Reinforced Frame** (No charge when 20" (50.8cm) Rear Seat Width and 20" (50.8cm) Seat Depth are selected.)..... **\$40**

SMARTDRIVE POWER ASSIST SYSTEM



- ZMAXSD1 **Permobil Smart Drive MX2+** (SwitchControl comes standard. N/A with rear seat heights less than 13.5", or 20" rear wheels)..... **\$7,495**
- ZMAXSD6 **NEW PushTracker E2 OR ZMAXSD7 PushTracker OR No PushTracker required**..... **NCO**
- ZMAXSD8 SwitchControl with Mono Jack Option..... **\$194**
- ZMAXSD4 Carrying Bag..... **\$102**
- ZMAXSD5 **NEW Universal padded handle**..... **\$28**

TRANSIT OPTIONS

(Please refer to the Aero X2 Transit Tie-Down Option Brochure for important information regarding the Transit Tie-Down Options.)

- XTTDO1 **Aluminum Frame Transit Tie-Down** (Consists of four Tie-Down Brackets. Not Available with 2GX2, Heavy Duty Frame, Hemi Height Frame, Swing Away Tubular Armrests or Swing Away- Flip Back Tubular Armrests. Requires a Folding Stabilizer Bar unless a Depth Adjustable Backrest is selected. Requires minimum seat depth of 14" (35.6cm))..... **\$445**
- XWTB **Transport Bracket Option** (Consists of four Tie-Down Brackets. Unoccupied Use Only.) (Not Available when Swing Away frame and Heavy Duty Frame are both selected. Not available with Swing Away Tubular Armrest or Swing Away-Flip Back Tubular Armrests. Requires a minimum seat depth of 14" (35.6cm) or 15" (38.1cm) seat Depth with Hemi Height Frame.)..... **\$385**

FRAME FINISHES

Natural Finishes

- XFF1 **Satin** (Available with Titanium Frame only.)..... **STD**
- XSCBT1 **Satin Finish Buffing Pads**..... **\$20**
- XFF3 **Tattoos** (Tattoos on front frame tubes. Titanium frame finished in Satin Aluminum frame finished in blasted aluminum with clear coat. Tattoos will be trimmed and adjusted to fit your frame.)..... **\$335**

XFF45 **NeedFor Speed**



XFF43 **Mosaic**



XFF44 **Flower Garden**



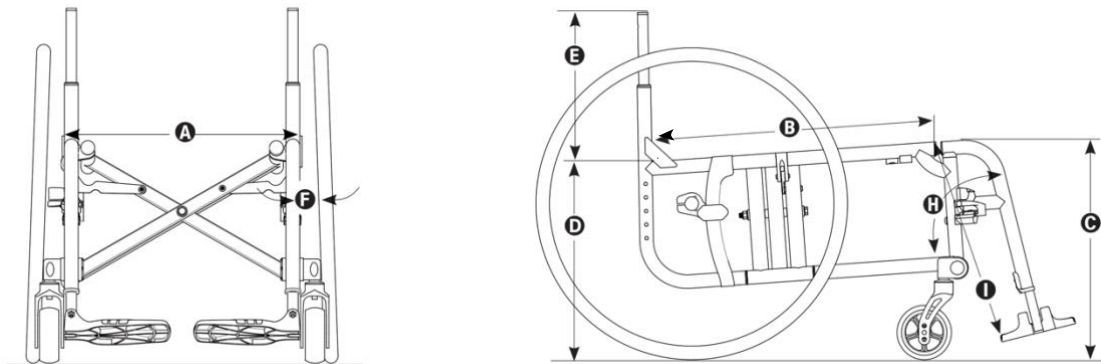
- | | | | |
|-----------------------------|---|---|---|
| High Gloss Paint | <input type="checkbox"/> XFF8 High Gloss Black | <input type="checkbox"/> XFF10 TiLite Red | <input type="checkbox"/> XFF29 Neon Pink |
| Metallic Paint | <input type="checkbox"/> XFF14 Ocean Blue Metallic | <input type="checkbox"/> XFF15 Tangerine Metallic | <input type="checkbox"/> XFF30 Acid Green Metallic |
| Pearlescent Paint | <input type="checkbox"/> XFF17 Midnight Blue Pearl | <input type="checkbox"/> XFF18 White Pearl | |
| Matte Paint | <input type="checkbox"/> XFF19 Black Lava | <input type="checkbox"/> XFF27 Titanium Grey | |
| Candy Paint | <input type="checkbox"/> XFF22 Ruby Red | <input type="checkbox"/> XFF23 Azure Blue | <input type="checkbox"/> XFF25 Electric Plum |
| Matte Textured Paint | <input type="checkbox"/> XFF40 Hyper Blue | <input type="checkbox"/> XFF41 Flame Orange | <input type="checkbox"/> XFF42 OD Green..... STD |



Permobil.com
2701 West Court Street / Pasco, Washington 99301
Tel 800 736 0925 or Email tilitesales@permobil.com

TiLite X-Series Canadian Order Form

FRAME MEASUREMENTS



SEAT WIDTH A Measure from outside of seat tube at back post to the outside of the opposite seat tube at back post.

- XSW1 12" (30.5cm) 13" (33cm) 14" (35.6cm) 15" (38.1cm) 16" (40.6cm) 17" (43.2cm)
 18" (45.7cm) 19" (48.3cm)..... **STD**
 XSW2 20" (50.8cm) 21" (53.3cm) 22" (55.9cm) (21" (46cm) and 22" (56cm) Seat Widths A are only available with Heavy Duty Frame.) **\$495**

SEAT DEPTH B Measure from 1/2" (1cm) in front of back post to the front edge of seat sling. (12"-14" (30-35.6cm) Seat Depths B not available with 25" and 26" Rear Wheels.)

- XSD1 12" (30.5cm) 13" (33cm) 14" (35.6cm) 15" (38.1cm) 16" (40.6cm) 17" (43.2cm)
 18" (45.7cm) 19" (48.3cm)..... **STD**
 XSD2 20" (50.8cm)..... **\$540**
 XSD3 Custom Frame Depth: _____" Frame Depth Longer Than Seat Depth (Use 1" (2.5cm) increments with a maximum of 2" (5.1cm). A Custom Frame Depth with a maximum of 20" (50.8cm) is additional charge.)..... **NCO**

FRONT SEAT HEIGHT C Measure from floor to top of seat tube at front edge of seat sling Adjustable in 1/2" (1.3cm) increments. (13.5" - 14" (34.3-35.6cm) Front Seat Height C requires Hemi Height Frame Style. 20.5" - 21" (52.1-53.3cm) Front Seat Height C not available with Hemi Height Frame Style.

FRONT SEAT HEIGHT RANGES

Front Wheel Size	Front Seat Heights C	Hemi Front Seat Heights C	
3" Front Wheel	14.5" - 18.5" (36.8-47cm)	13.5" - 17.5" (34.3-44.5cm)	XFSH1 <input type="checkbox"/> 13.5" (34.3cm) <input type="checkbox"/> 14" (35.6cm) <input type="checkbox"/> 14.5" (36.8cm) <input type="checkbox"/> 15" (38.1cm) <input type="checkbox"/> 15.5" (39.4cm) <input type="checkbox"/> 16" (40.6cm) <input type="checkbox"/> 16.5" (41.9cm) <input type="checkbox"/> 17" (43.2cm) <input type="checkbox"/> 17.5" (44.5cm) <input type="checkbox"/> 18" (45.7cm) <input type="checkbox"/> 18.5" (47cm) <input type="checkbox"/> 19" (48.3cm) <input type="checkbox"/> 19.5" (49.5cm) <input type="checkbox"/> 20" (50.8cm) <input type="checkbox"/> 20.5" (52.1cm) <input type="checkbox"/> 21" (53.3cm)..... STD
3" Front Wheel w/Glide™	16.0" - 17.5" (40.6-44.5cm)	15.0" - 17.0" (38.1-43.2cm)	
4" Front Wheel	15.5" - 19.0" (39.4-48.3cm)	14.5" - 18.0" (36.8-45.7cm)	
4" Front Wheel w/Glide™	16.5" - 18.0" (41.9-45.7cm)	15.5" - 17" (39.4-43.2cm)	
5" Front Wheel	16.5" - 19.5" (41.9-49.5cm)	16.0" - 18.5" (40.6-47cm)	
5" Front Wheel w/Glide™	17.5" - 18.5" (44.5-47cm)	16.5" - 18.0" (41.9-45.7cm)	
6" Front Wheel	17.5" - 20.0" (44.5-50.8cm)	16.5" - 19.0" (41.9-48.3cm)	
6" Front Wheel w/Glide™	19.0" (48.3cm)	17.5" - 18" (44.5-45.7cm)	
8" Front Wheel	19.5" - 21.0" (49.5-53.3cm)	18.5" - 19.5" (47-50.8cm)	

REAR SEAT HEIGHT D Measure from floor to top of seat tube at back post. Adjustable in 3/8" increments.

REAR SEAT HEIGHT RANGES

Rear Wheel Size	Rear Seat Height D	
22"	13" - 18" (33-45.7cm)	XRSH1 <input type="checkbox"/> 13" (33cm) <input type="checkbox"/> 13.5" (34.3cm) <input type="checkbox"/> 14" (35.6cm) <input type="checkbox"/> 14.5" (36.8cm) <input type="checkbox"/> 15" (38.1cm) <input type="checkbox"/> 15.5" (39.4cm) <input type="checkbox"/> 16" (40.6cm) <input type="checkbox"/> 16.5" (41.9cm) <input type="checkbox"/> 17" (43.2cm) <input type="checkbox"/> 17.5" (44.5cm) <input type="checkbox"/> 18" (45.7cm) <input type="checkbox"/> 18.5" (47cm) <input type="checkbox"/> 19" (48.3cm) <input type="checkbox"/> 19.5" (49.5cm) <input type="checkbox"/> 20" (50.8cm) STD
24"	14" - 19" (35.6-48.3cm)	
25"	14" - 19" (35.6-48.3cm)	
26"	15" - 20" (38.1-50.8cm)	

BACK SUPPORTS

ROHO® AGILITY® BACK SUPPORT MIN CONTOUR (Comes standard with quick release hardware.)

- Shell Height** 10" 13" 16" 18"
 BRS5 Foam **\$785**
 BRS6 Foam + Lumbar **\$940**
 BRS7 Foam w/ Air Insert **\$1095**
 BRS8 Foam w/ Air Insert + Lumbar **\$1095**

ROHO® AGILITY® BACK SUPPORT MID CONTOUR (Comes standard with quick release hardware.)

- Shell Height** 10" 13" 16" 18"
 BRS9 Foam w/ Air Insert **\$1115**
 BRS10 Foam w/ Air Insert + Lumbar **\$1115**

TiLite X-Series Canadian Order Form

BACK SUPPORTS

COMFORT ACTA-EMBRACE™

Shell Height 10" 12" 14" 16"

SBR516 Acta-Embrace Back with 2-PT Quick Release Compass Hardware.....\$775

CPSB1 Comfort Privacy Shield.....\$55

COMFORT ACTA-RELIEF

Shell Height 10" 12" 14" 16"

SBR513 Acta-Relief Back with 2-PT Quick Release Compass Hardware.....\$945

CPSB1 Comfort Privacy Shield.....\$55

SEAT BACK HEIGHT E/SEAT BACK/PUSH HANDLES Measure from top of back post to top of seat tube at rear of frame.

SEAT BACK TYPE

XSB20 Fixed Angle, Adjustable-Height Seat Back.....STD

 XLB1 Folding Stabilizer Bar (Required with Transit Tie-Down Option unless Depth Adjustable Backrest is selected.
 Includes Tension Adjustable by Strap Back Upholstery.).....\$390

XSB14 Fixed Angle, Adjustable Height Seat Back w/8-Degree Bend. (Not available with Heavy Duty Frame.).....NCO

XSB18 Folding Adjustable-Angle and Height Seat Back Not Available with Hemi Height Frame, Heavy Duty Frame, 19" or 20"
(48.3 or 50.8cm) Seat Depths B or Swing Away Tubular Armrest. Seat Depths B of 12"-17" (30.5-43.2cm) allow 3"
(7.6cm) of rearward adjustment. Seat Depth B of 18" (45.7cm) allow 2" (5.1cm) of rearward adjustment.
Requires Tension Adjustable Seat Upholstery.).....\$230

XSB16 Depth Adjustable Back/Frame (Not Available with Hemi Height Frame, Heavy Duty Frame, 19" or 20"
(48.3 or 50.8cm) Seat Depths B, Swing Away Tubular or Swing Away Flip-Back Armrest. Seat Depths B of 12"-17" (30.5-
43.2cm) allow 3" (7.6cm) of rearward adjustment. Seat Depth B of 18" (46cm) allow 2" (5cm) of rearward adjustment.
Requires Tension Adjustable Seat Upholstery.).....NCO

PUSH HANDLES

XSB6 Integrated Push Handles.....NCO

XSB7 Integrated Fold-Down Push Handles (Requires Tension Adjustable by Straps Back Upholstery. Not available with
Heavy Duty Frame.).....\$115

XSB9 Bolt-On Height Adjustable Push Handles (Requires Tension Adjustable by Straps Back Upholstery. Not available with
Heavy Duty Frame, Folding Adjustable-Angle and Height Seat Back, Swing Away Tubular Armrests, Swing Away - Flip Back
Tubular Armrests.).....\$410

FRAME MEASUREMENTS

XSB20/XSB14 **FIXED ANGLE ADJUSTABLE SEAT BACK HEIGHT E** (11"-15" Fixed Seat Back Height not available with Heavy Duty
Frame, Swing Away Tubular Arms 12"-15", Bolt-On Adjustable Height Push Handles or Folding Stabilizer Bar.)

Push Handles

(Selected on Pg. 2)	Short	Tall	Set at: (Use 1" Increments)
None	<input type="checkbox"/> 11.0" - 15.0"	<input type="checkbox"/> 16" - 20"	Set at: _____
Integrated	<input type="checkbox"/> 11.0" - 15.0"	<input type="checkbox"/> 16" - 20"	Set at: _____
Integrated Fold-Down	<input type="checkbox"/> 11.0" - 15.0"	<input type="checkbox"/> 16" - 20"	Set at: _____
Bolt-On Height Adj.	-----	<input type="checkbox"/> 16" - 20"	Set at: _____

XSB18 **FOLDING ADJUSTABLE- ANGLE AND HEIGHT SEAT BACK E** (Not available with a Folding Stabilizer Bar or Heavy Duty Frame)

Push Handles

(Selected on Pg. 2)	Short	Medium	Tall	Set at: (Use 1" Increments)
None	<input type="checkbox"/> 11.0" - 13.0"	<input type="checkbox"/> 13.5" - 16.5"	<input type="checkbox"/> 16.5" - 19.5"	Set at: _____
Integrated	<input type="checkbox"/> 12.5" - 14.5"	<input type="checkbox"/> 13.5" - 16.5"	<input type="checkbox"/> 17.0" - 19.5"	Set at: _____
Integrated Fold-Down	<input type="checkbox"/> 15.0" - 17.0"	<input type="checkbox"/> 16.0" - 19.0"	<input type="checkbox"/> 18.5" - 20.5"	Set at: _____

CAMBER F

XCBR8 0° 2° 4° 6°.....STD

FRONT ANGLE H Front Angle H is measured from inside of front frame tube to top of bottom frame tube.

Swing Away Front End

XFA3 70° 80° 85° (Not available with 6" Front Wheels.) 90° (Requires aluminum footplate. Not available with
Heavy Duty Frame, 5" or 6" Front Wheels.).....STD

XFA0 Omit Hangers.....NCO

Fixed Front End

XFA6 70° 80° 85° (85° Not available with 6" Front Wheels.).....STD

SEAT TO FOOTREST I/FOOTRESTS Measure from front edge of seat sling to top rear of footrest.

If your Front Angle H is **70°, 80° OR 85°** select one Seat to Footrest I length and one Footrest type:

Standard Footrests Measurement must be at least 2" shorter than Front Seat Height C. 70° Fixed Front has a minimum
seat to footrest of 14.5"

14" (35.6cm) 14.5" (36.8cm) 15" (38.1cm) 15.5" (39.4cm) 16" (40.6cm) 16.5" (41.9cm)

TiLite X-Series Canadian Order Form

Effective Oct 4, 2021 (New Items in Red)

FOLDING FRAME

Page 4 of 7

- 17" (43.2cm) 17.5" (44.5cm) 18" (45.7cm) 18.5" (47cm) 19" (48.3cm) 19.5" (49.5cm) 20" (50.8cm)
 XFTR5 Flip-up Footrest..... **STD**
 XFTR9 Depth Adjustable Flip-up Footrest..... **\$110**

FRAME MEASUREMENTS

- XFTR10 Depth & Angle Adjustable Flip-up Footrest (Available for 15"-20" (38.1-50.8cm) Seat to Footrest I only.)..... **\$270**
 XFTR11 Angle Adjustable Flip-up Footrest (Available for 15"-20" (38.1-50.8cm) Seat to Footrest I only.)..... **\$235**

High Mount Footrests (Not Available with Luggage Carriers, or Impact Guards)

- 7" (17.8cm) 7.5" (19.1cm) 8" (20.3cm) 8.5" (21.6cm) 9" (22.9cm) 9.5" (24.1cm)
 10" (25.4cm) 10.5" (26.7cm) 11" (27.9cm) 11.5" (29.2cm) 12" (30.5cm) 12.5" (31.8cm)
 13" (33cm) 13.5" (34.3cm) 14" (35.6cm) 14.5" (36.8cm)

- XFTR20 High Mount Flip-up..... **\$190**
 XFTR15 Angle Adjustable High Mount Flip-up Footrest..... **\$325**
 XFTR16 Depth & Angle Adjustable High Mount Flip-up Footrest..... **\$375**

Elevating Leg Rest

- 14" 15" 16" 17" 18" 19" 20" 21"

- XFA5 Single Depth Adjustable Flip-up Footrest - Left OR Right..... **\$170**
 XFTR17 Depth Adjustable Flip-up Footrest - Pair..... **\$360**

If your Front Angle H is 90°, select one Seat to Footrest I length and one Footrest type:

- 7" (17.8cm) 8" (20.3cm) 9" (22.9cm) 10" (25.4cm) 11" (27.9cm) 12" (30.5cm) 13" (33cm)

- XFTR5 Flip-up Footrest..... **STD**
 XFTR9 Depth Adjustable Flip-up Footrest..... **\$110**
 XFTR10 Depth & Angle Adjustable Flip-up Footrest..... **\$270**
 XHLP1 Heel Loops (Not available with 13" (33cm) or narrower Seat Width A or 1-Piece Footrests.)..... **\$60**

CUSTOM CONFIGURATION OPTIONS

FRONT WHEELS (See Front Seat Height Ranges Chart on Page 2 for Front Seat Height C limitations.)

- XFW24 3"x1.5" LiteSpeed Billet Aluminum Wheel w/Soft Roll Tire Silver Hub OR Black Hub..... **\$180**
 XFW14 4"x.75" Plastic Wheel w/Poly Tire (Not available with Power Adaptable Frame, Heavy Duty Frame or Glide™ Single-Sided Suspension Fork.)..... **NCO**
 XFW3 4"x.75" Light-Up Micro-Caster (Not available with Power Adaptable Frame, Heavy Duty Frame or Glide™ Single-Sided Suspension Fork.)..... **\$80**
 XFW26 4"x1.5" LiteSpeed Plastic Wheel w/Soft Roll Tire (Not available with Power Assist, Power Add-on System or Heavy Duty Frame.)..... **\$95**
 XFW27 4"x1.5" LiteSpeed Billet Aluminum Wheel w/Soft Roll Tire Silver Hub OR Black Hub..... **\$190**
 XFW6 5"x1" Plastic Wheel w/Poly Tire (Not available with Heavy Duty Frame or with 90° Front Angle Hor Glide™ Single-Sided Suspension Fork.)..... **NCO**
 XFW28 5"x1.5" LiteSpeed Plastic Wheel w/Soft Roll Tire (Not available with Heavy Duty Frame or 90° Front Angle H.)..... **\$95**
 XFW30 5"x1.5" LiteSpeed Billet Aluminum Wheel w/Soft Roll Tire Silver Hub OR Black Hub (Not available with 90° Front Angle H.)..... **\$250**
 XFW9 6"x1" Plastic Wheel w/Poly Tire (Not available with Power Adaptable Frame, Heavy Duty Frame or 85° or 90° Front Angle H or Glide™ Single-Sided Suspension Fork.)..... **NCO**
 XFW32 6"x1.5" LiteSpeed Plastic Wheel w/Soft Roll Tire (Not available with Power Adaptable Frame, Heavy Duty Frame, 85° or 90° Front Angle H, or Glide™ Single-Sided Fork.)..... **\$100**
 XFW33 6"x1.5" LiteSpeed Billet Aluminum Wheel w/Soft Roll Tire Silver Hub OR Black Hub (Not available with 85° or 90° Front Angle H or Glide™ Single-Sided Suspension Fork.)..... **\$250**
 X2FW16 8"x1" Plastic Wheel w/Poly Tire (Not available with Power Assist, Power Add-on, Heavy Duty Frame or Glide™ Single-Sided Available with 70° Front Angle H only.) (Not available with 12"-14" Seat Depths)..... **NCO**

FRONT FORKS

- XFK1 TiLite Standard Fork..... **STD**
 XGL1 Out-Front Glide™ Suspension Fork (Available in Black anodize only. Not available with 8" Front Wheels or Heavy Duty Frame)..... **\$485**
 Rider's Weight: 125 lbs. 125-180 lbs. 180-265 lbs.

ONE ARM DRIVE

- XOAD1 One Arm Drive (Available with 24" Mag Wheels only. Rear Seat Height, Camber or axle restrictions may apply.)..... **\$1,560**
 Drive Handrim Side (Available with standard aluminum handrim only.)
 Install on Left Install on Right

REAR WHEELS (See Rear Seat Height Ranges Chart on Page 2 for Rear Seat Height D limitations.)

- XRW14 TiLite SHADOW™..... **STD**
 22"(501)
 24"(540)
 25"(559) (Requires 15" (38.1cm) minimum Seat Depth B.)
 26"(590) (Requires 15" (38.1cm) minimum Seat Depth B.)
 XRW7 Spinergy SPOX Black Red Blue White..... **\$900**
 22"(501) - Std. Hub
 24"(540) - Std. Hub
 25"(559) - Std. Hub (Requires 15" (38.1cm) minimum Seat Depth B.)
 26"(590) - Std. Hub (Requires 15" minimum Seat Depth B.)

TiLite X-Series Canadian Order Form

Effective Oct 4, 2021 (New Items in Red)

FOLDING FRAME

Page 5 of 7

XRW8 Spineray LX (Only available with Heavy Duty Frame when 0 or 2 degree camber is selected.) Black Red Blue
 White Bright Orange Flamingo Pink Purple.....\$1,055

- 22"(501) - Std. Hub
- 24"(540) - Std. Hub
- 25"(559) - Std. Hub (Requires 15" (38.1cm) minimum Seat Depth B.)
- 26"(590) - Std. Hub (Requires 15" (38.1cm) minimum Seat Depth B. Not available with Quad Release Axles.)

XRW9 New Spineray Design Lab LX Wheels (If same color is selected, anodized hubs and rims match color anodized package on page 1. Available with black spokes only.)

Gold Anodize Green Anodize Blue Anodize Red Anodize Purple Anodize Orange Anodize.....\$1,764

- 22"(501) - Std. Hub
- 24"(540) - Std. Hub
- 25"(559) - Std. Hub (Requires 15" minimum Seat Depth B.)
- 26"(590) - Std. Hub (Requires 15" minimum Seat Depth B.)

XRW16 New Spineray® Carbon Blade with 3k Weave Carbon Fiber (Not available with Heavy Duty Frame.).....\$1,540

- 24"(540)
- 25"(559) (Requires 15" minimum Seat Depth B.)

XRW17 X-Core Mag (Not available with Heavy Duty Frame, Short Tabs, Quad Release Axles, Spoke Guards or Omit Handrims Option Requires Aluminum Silver Anodized Handrims).....NCO

- 22"(501)
- 24"(540)

AXLES

- XAXL1 Stainless Quick Release.....STD
- XAXL2 Titanium Quick Release.....\$290
- XAXL3 Quad Release (Not available with Mag or 26"(590) Spineray Spox or Spineray LX Rear Wheels.).....\$170

PNEUMATIC REAR TIRES

- XRTR1 Treaded (Not available with 25"(559) Rear Wheels.).....STD
- XRTR2 Airless Inserts.....\$90
- XRTR3 25"(559) Primo Treaded (Standard with 25"(559) Rear Wheels.).....STD
- XRTR4 Primo.....NCO
- XRTR30 24"(540), 25"(559) and 26"(590) Primo Sentinel.....\$160
- XRTR8 24"(540), 25"(559) and 26"(590) Schwalbe® Marathon Plus Evolution.....\$155
- XRTR9 24"(540) and 25"(559) Schwalbe® Slick Tires.....\$150
- XRTR24 24"(540) Kenda Kobra Knobby Tires.....\$95

SOLID REAR TIRES

- XRTR22 22"(501), 24"(540) and 25"(559) Primo Express (Not available with Spineray Carbon Blade Rear Wheels.).....\$110
- XRTR23 24"(540) and 25"(559) Primo Active.....\$135

HANDRIMS

- XRIM1 Aluminum – Silver Anodized.....STD
- XRIM21 Aluminum – Black Anodized.....\$60
- XRIM12 Titanium – Satin Finish (Not available with 20"(451) or 22"(501) Rear Wheels, or 24"(540) Knobby tires.).....\$490

Handrims by OUT-FRONT®

The Natural-Fit® (Original, Larger Profile)

- XRIM14 Standard Grip (Not available with Short Tabs or Spineray Carbon Blade Rear Wheels.).....\$415
- XRIM15 Super Grip (Not available with Short Tabs or Spineray Carbon Blade Rear Wheels.).....\$470
- XRIM16 Without Thumb Grip.....\$380

The Natural-Fit® LT (Reduced Weight, Smaller Profile)

- XRIM17 Standard Grip (Not available with Short Tabs or Spineray Carbon Blade Rear Wheels.).....\$500
- XRIM18 Super Grip (Not available with Short Tabs or Spineray Carbon Blade Rear Wheels.).....\$535
- XRIM19 Without Thumb Grip.....\$460

XRIM10 The Surge (All-In-One Oval with Gription™ Strip, Larger Profile).....\$435

XRIM11 The Surge LT (All-In-One Oval with Gription™ Strip, Smaller Profile).....\$470

XRIM20 Q-Grip (Exclusive High-Friction, Anti-Slip Coating).....\$375

Additional Handrim Options

- XRIM5 Plastic Coated – Black.....\$160
- XRIM22 Omit Handrims.....NCO

Tab Length

- XRIM7 Long Tabs.....STD
- XRIM8 Short Tabs (Not available with Mag Rear Wheels or The Natural-Fit® Handrims with Thumb Grip.).....\$35

WHEEL LOCKS

Wheel Locks by OUT-FRONT® (Composite wheel locks not always compatible with 12"-13" (30-33cm) Seat Depth. Uni-locks will be substituted at no charge.)

XWLK7 Compact Composite Push to Lock.....NCO

XWLK8 Compact Composite Pull to Lock.....NCO

XWLK10 Extension Handles for Compact Composite Push/Pull to Lock.....\$85

XWLK9 Composite Scissor Lock (Not available on Aero X2 Swing Away.).....\$175

Additional Wheel Locks

XWLK11 New MBL Composite Scissor Lock (Not available on Swing Away.).....\$205

TiLite X-Series Canadian Order Form

Effective Oct 4, 2021 (New Items in Red)

FOLDING FRAME

Page 6 of 7

XWLK3 Uni-Lock Set At: <input type="checkbox"/> Push OR <input type="checkbox"/> Pull.....	\$165
XWLK4 <input type="checkbox"/> Extension Handles for Uni-Lock.....	\$85
XWLK15 <input type="checkbox"/> Grade Aids Push to Lock (Not available with solid rear tires).....	\$230

BACK UPHOLSTERY

XBUP1 <input type="checkbox"/> Padded Nylon (Black Only. Not available with Heavy Duty Frame, Folding Back, Folding Stabilizer Bar, Depth Adjustable Frame, Fold-Down Push Handles or Ultrasuede Backrest Stripe.).....	STD
Tension Adjustable by Straps (Included with Heavy Duty Frame. Required with Aluminum Fendered Side Guards and Fold-Down Push Handles.)	
XBUP3 <input type="checkbox"/> Padded Nylon.....	\$415
XBUP5 <input type="checkbox"/> AIR Breathable Upholstery (Not available with Ultrasuede Backrest Stripe.).....	\$400
XUPC3 Ultrasuede Backrest Stripe <input type="checkbox"/> Black (Not available with Padded Nylon or AIR Breathable Back Upholstery.).....	\$105
XBUP0 <input type="checkbox"/> Omit Back Upholstery.....	NCO

SEAT CUSHION

XCSH2 <input type="checkbox"/> Comfort Curve Cushion (Stretch-Air cover).....	\$155
XCSH23 <input type="checkbox"/> Comfort Embrace Zero Elevation Cushion (Comfort-Tek cover).....	\$470
XCSH15 <input type="checkbox"/> ROHO® Hybrid Elite SR™ Single Compartment Cushion (Fits seat widths 14" to 19").....	\$745
XCSH14 <input type="checkbox"/> ROHO® QUADTRO SELECT® Cushion (Fits seat widths 14" to 19") Profile: <input type="checkbox"/> Low <input type="checkbox"/> Mid <input type="checkbox"/> High.....	\$720
XCSH16 <input type="checkbox"/> ROHO® Hybrid Select Cushion (Fits seat widths 14" to 19").....	\$720

SIDE GUARDS

Aluminum

XSDG2 <input type="checkbox"/> Rigid Removable <input type="checkbox"/> Small OR <input type="checkbox"/> Std.....	\$290
XSDG3 <input type="checkbox"/> Quad Removable w/Hole <input type="checkbox"/> Small OR <input type="checkbox"/> Std.....	\$315
XSDG6 <input type="checkbox"/> Fendered Adjustable (Requires Tension Adjustable by Straps Back Upholstery. Not available with Angle-Adjustable Fold-Down Seat Backs.).....	\$400

Carbon Fiber

XSDG7 <input type="checkbox"/> Rigid Removable <input type="checkbox"/> Small OR <input type="checkbox"/> Std.....	\$340
XSDG8 <input type="checkbox"/> Quad Removable w/Hole <input type="checkbox"/> Small OR <input type="checkbox"/> Std.....	\$375
XSDG11 <input type="checkbox"/> Fendered Adjustable (Requires Tension Adjustable by Straps Back Upholstery. Not available with Angle-Adjustable Fold-Down Seat Backs.).....	\$565

ARMRESTS (Desk Arms come with built-in Side Guards.)

XARM1 Swing Away Tubular (Not available with Heavy Duty Frame, Folding Stabilizer Bar with Short or Medium Seat Back Height ranges or Depth Adjustable Back.).....	\$260
<input type="checkbox"/> 9" - 12" (22.9 to 30.5cm) OR <input type="checkbox"/> 12" - 15" (30.5 to 38.1cm)	
XARM4 <input type="checkbox"/> Swing Away - Flip Back Tubular (Not available with Heavy Duty Frame, Folding Stabilizer Bar or Depth Adjustable Back.).....	\$315
XARM2 Removable Height Adjustable Desk Arm with Rigid Side Guard (Requires 14" minimum Seat Depth B.).....	\$360
<input type="checkbox"/> 9" to 12" (22.9 to 30.5cm) OR <input type="checkbox"/> 12" to 15" (30.5 to 38.1cm)	
<input type="checkbox"/> Standard Length Pad (10") OR <input type="checkbox"/> Full Length Pad (14")	
XARM3 Removable Height Adjustable Desk Arm with Rigid Side Guard and Transfer Loop (Requires 16" minimum Seat Depth B.).....	\$375
<input type="checkbox"/> 9" to 12" (22.9 to 30.5cm) OR <input type="checkbox"/> 12" to 15" (30.5 to 38.1cm)	
<input type="checkbox"/> Standard Length Pad (10") OR <input type="checkbox"/> Full Length Pad (14")	
XARM8 Standard 2-Point Flip-Back Height Adjustable Desk Arm With Rigid Side Guard.....	\$385
<input type="checkbox"/> 9" to 12" OR <input type="checkbox"/> 12" to 15"	
<input type="checkbox"/> Standard Length Pad (10") OR <input type="checkbox"/> Full Length Pad (14")	
XARM9 Standard 2-Point Flip-Back Height Adjustable Desk Arm With Rigid Side Guard and Transfer Loop.....	\$440
<input type="checkbox"/> 9" to 12" OR <input type="checkbox"/> 12" to 15"	
<input type="checkbox"/> Standard Length Pad (10") OR <input type="checkbox"/> Full Length Pad (14")	
Available Armrest Option	
XARM5 <input type="checkbox"/> Covered in Black Ultrasuede (Not available with Desk Arms).....	\$115

SEAT BELTS

XBLT1 <input type="checkbox"/> Velcro Adjustable, Black Nylon Webbing.....	\$55
XBLT2 <input type="checkbox"/> Bodypoint® 2" Push-Button Buckle (Auto-Style.).....	\$95
XBLT4 <input type="checkbox"/> Bodypoint® 1" Wide Push-Button Buckle Padded (Auto-Style.) (Not available with 19" - 22" Rear Seat Widths A.).....	\$170
XBLT5 <input type="checkbox"/> Bodypoint® 1.5" Wide Push-Button Buckle Padded (Auto-Style.) (Not available with 19" - 22" Rear Seat Widths A.).....	\$170
XBL10 <input type="checkbox"/> Bodypoint® Optional Band Clamp Mounting Hardware.....	\$20
XBL15 <input type="checkbox"/> Bodypoint® EvoFlex® Pelvic Stabilizer Swivel Buckle.....	\$240
XBL16 <input type="checkbox"/> Bodypoint® EvoFlex® Pelvic Stabilizer Push Button.....	\$240
XBL17 <input type="checkbox"/> Bodypoint® EvoFlex® Pelvic Stabilizer Rehab Latch.....	\$240

CALF STRAP

XCLF2 Velcro Adjustable.....	\$40
<input type="checkbox"/> Small (Recommended for 9" - 12" (22.9-30.5cm) Footrest Widths)	
<input type="checkbox"/> Medium (Recommended for 11" - 15" (27.9-38.1cm) Footrest Widths)	
<input type="checkbox"/> Large (Recommended for 14" - 17" (35.6-43.2cm) Footrest Widths)	
<input type="checkbox"/> Xtra Large (Recommended for 16" - 19" (40.6-48.3cm) Footrest Widths)	

TiLite X-Series Canadian Order Form

Effective Oct 4, 2021 (New Items in Red)

FOLDING FRAME

Page 7 of 7

XCLF3 Bodypoint® Padded Velcro Adjustable.....	\$85
<input type="checkbox"/> Medium (Recommended for 12"- 15" (30.5-38.1cm) Footrest Widths)	
<input type="checkbox"/> Large (Recommended for 16"- 20" (40.6-50.8cm) Footrest Widths)	
XCLF1 <input type="checkbox"/> Buckle Adjustable, Black Nylon Webbing.....	\$30

RESIDUAL LIMB SUPPORT

XRSL1 <input type="checkbox"/> Residual Limb Support (8" width x 10" length).....	\$515
---	--------------

CUSTOM CONFIGURATION OPTIONS

XRSL2 <input type="checkbox"/> Residual Limb Support Pair (8" width x 10" length).....	\$1,030
--	----------------

BACKPACK

XBCK3 <input type="checkbox"/> Black Permobil Backpack.....	\$95
---	-------------

SEAT POUCH

XPCH3 <input type="checkbox"/> Black Permobil Seat Pouch.....	\$60
XPCH4 <input type="checkbox"/> Bodypoint® Mobility Bag.....	\$130

SPOKE GUARDS

XGRD1 <input type="checkbox"/> Clear with TiMotion Logo (Not available with Mag Rear Wheels.).....	\$135
--	--------------

ANTI-TIPS

XTIP1 <input type="checkbox"/> Rear Aluminum - Black.....	\$195
XTIP7 <input type="checkbox"/> Black Aluminum Single.....	\$100
Mount on <input type="checkbox"/> Left Side or <input type="checkbox"/> Right Side.....	NCO
XTIP2 <input type="checkbox"/> User Friendly Flip-up.....	\$360
XTIP8 <input type="checkbox"/> User Friendly Flip-up Single.....	\$170
Mount on <input type="checkbox"/> Left Side or <input type="checkbox"/> Right Side.....	NCO
XTIP9 <input type="checkbox"/> Tip Assist.....	\$105

ACCESSORIES

XUEST1 Upper Extremity Support Tray <input type="checkbox"/> 12" to 14" (30.5-35.6cm) OR <input type="checkbox"/> 13" to 15" (33-38.1cm) Seat Widths A (Requires Armrests.).....	\$290
XLUG1 <input type="checkbox"/> Luggage Carriers (Not available with High Mount Swing Away Footrests or 1-Piece Flip-up Footrest.).....	\$145
XMPCT2 Neoprene Impact Guards with Ultrasuede Stripe (Not available with High Mount Footrests, 90° Hangers or Elevating Leg Rest.)	
<input type="checkbox"/> Black.....	\$105
XCH1 <input type="checkbox"/> Crutch Holder.....	\$145

GENERAL

More options and frame modifications may be available through our Creative Mobility Division! Please contact customer service for details or [click here](#) to view options.

Permobil manufactures TiLite manual wheelchairs in a wide variety of configurations to meet the varied needs of wheelchair users. The final selection of a particular model, its options and accessories, and its measurements rests solely with the wheelchair user and advising healthcare professional. These wheelchairs must be fitted by a qualified healthcare professional.

Get the latest order forms at permobilus.com. Prices, standard features, options and accessories are subject to change without notice. All rights reserved. Trademarks are identified by symbols™ and ®. TiLite, TiFit, the TiLite logo, Ti, the Ti logo, and TiShaft are registered trademarks of TiSport, LLC and are licensed to Permobil. Permobil® is a registered trademark of Permobil. Adobe®, Acrobat®, Acrobat Professional® and Reader® are registered trademarks of Adobe Systems Inc. Bodypoint® is a registered trademark of Bodypoint Inc. Kenda® is a registered trademark of Kenda Rubber Industrial Co. Ltd. ROHO®, AGILITY®, Low Profile® and Quadro Select® are registered trademarks of ROHO Inc. Schwalbe® is a registered trademark of Ralf Bohle GmbH. The Natural-Fit® and Out-Front® are registered trademarks of Three Rivers Holdings, LLC. The ACTA-BACK®, ACTA-EMBRACE™, COMFORT-TEK™, COMPASS®, CURVE®, ELEMENTS®, and STRETCH AIR™ are registered trademarks of THE COMFORT COMPANY® and are licensed to Permobil. Q'Straint® is a registered trademark of Q'Straint Inc.

QUOTE THIS CHAIR	If you are using Adobe Acrobat, this order form may be converted into a quote request or into an order by clicking one of the buttons (this feature is available exclusively to TiLite dealers and distributors). A TiLite Quote or a TiLite Order Confirmation will be sent to you within 24 hours.	ORDER THIS CHAIR
-------------------------	--	-------------------------