

International TiLite T-Series Order Form

Effective November 2, 2021 (New Items in Red)

DUAL-TUBE RIGID FRAME

Page 1 of 8

DEALER INFORMATION		RTS INFORMATION	
Dealer:	Account #:	RTS:	Phone:
PO:	Ordered By:	Email:	
Email:		SHIP TO INFORMATION	
Mark For:	User Weight:	Name:	Ship Via:
TiLite Sales Rep:		Address:	
TiLite Information:	Promo Code:	City:	State: Zip:
Ship Date:	Order #:	Phone:	Fax:



More options and frame modifications may be available through our Creative Mobility Division! Please contact customer service for details or [click here](#) to view options.

Please Email to the Permobil Manual Customer Service Team at: TiLite_Global_Support@Permobil.com

FRAME STYLE

- ATFS1 **Aero T Aluminum Frame** (Full Adjustability. 265 Pound Weight Limit. For Rear Seat Width A and Seat Depth B of 15" or greater, use K0005. For Rear Seat Width A and Seat Depth B of less than 15", use E1235.).....**\$2,615**
- TAFS1 **TRA Titanium Frame** (Full Adjustability. 265 Pound Weight Limit. For Rear Seat Width A and Seat Depth B of 15" or greater, use K0005. For Rear Seat Width A and Seat Depth B of less than 15", use E1235.).....**\$3,705**
- TRFS1 **TR Titanium Frame Ultimate TiFIT** (Minimal Adjustability. 265 Pound Weight Limit. For Rear Seat Width A and Seat Depth B of 15" or greater, use K0005. For Rear Seat Width A and Seat Depth B of less than 15", use E1235.).....**\$3,930**
- THDR1 **Heavy Duty Frame** (Not Available with TR Titanium Frame. 350 Pound Weight Limit. No charge when 20" Rear Seat Width A and 20" Seat Depth B are selected. Includes Tension Adjustable by Straps Back Upholstery. Requires Folding Aluminum Adjustable Height Backrest, Billet Aluminum Front Wheels, Shadow or Spinergy SPOX Rear Wheels. LX Rear Wheels only available with 0 or 2 degree camber. Not available with SuperLite Edition, Slipstream Fork, Velcro Adjustable Upholstery, Open Loop Footrest, V-Front Taper or Glide™ Forks.).....**\$435**
- TQST1 **Q'Straint Adaptable Frame** (350 Pound Weight Limit. No charge when 20" Rear Seat Width A and 20" Seat Depth B are selected. Includes Tension Adjustable by Straps Back Upholstery. Requires Folding Aluminum Adjustable Height Backrest, Billet Aluminum Front Wheels, Shadow or Spinergy SPOX Rear Wheels. LX Rear Wheels. only available with 0 or 2 degree camber. Not available with SuperLite Edition, Slipstream Fork, Velcro Adjustable Upholstery, Open Loop Footrest, V-Front Taper or Glide™ Forks.).....**\$435**
- TRFR1 **Reinforced Frame** (No charge when 20" Rear Seat Width A and 20" B Seat Depth are selected.).....**\$330**

FRAME FINISHES

- TFF1 Satin (Available with Titanium Frame only).....**STD**
 - SCBT1 Satin Finish Buffing Pads.....**\$15**
 - TFF3 Tattooed Titanium™ (Tattoos on front frame tubes. Titanium frame finished in Satin. Tattoos will be trimmed and adjusted to fit your frame.).....**\$345**
 - TFF45 Need for Speed
 - TFF43 Mosaic
 - TFF44 Flower Garden
- 

- High Gloss Paint** TFF8 High Gloss Black

Metallic Paint TFF14 Ocean Blue Metallic

Pearlescent Paint TFF17 Midnight Blue Pearl

Matte Paint TFF19 Black Lava

Candy Paint TFF22 Ruby Red

Matte Textured Paint TFF40 Hyper Blue

TFF10 TiLite Red

TFF15 Tangerine Metallic

TFF18 White Pearl

TFF27 Titanium Grey

TFF23 Azure Blue

TFF41 Flame Orange

TFF29 Neon Pink

TFF30 Acid Green Metallic

TFF25 Electric Plum

TFF42 OD Green.....**STD**

COLOR ANODIZE PACKAGE

(Color Anodize Package includes: Caster Mount, Caster Fork, and Caster Caps. If no anodize color is selected, the default will be black.)

- TANO1 Black.....**STD**
- TANO12 Gold TANO15 Green TANO13 Purple TANO14 Orange TANO10 Blue TANO11 Red.....**\$65**

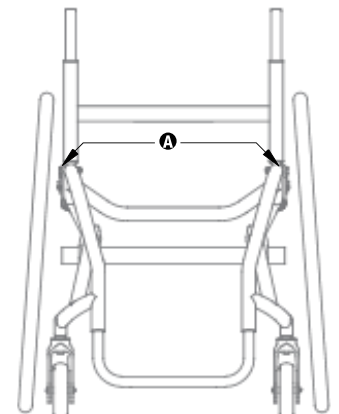
TiFit: TAILORED INDIVIDUALIZED FRAME

REAR SEAT WIDTH A Measure from outside of seat tube at back post to the outside of the opposite seat tube at back post.

- TSW1 12" 13" 14" 15" 16" 17" 18" 19".....**STD**
- TSW2 20" (Greater than 20" size avail. through CMD).....**\$510**

FRONT SEAT WIDTH (SEAT TAPER) T Measure from inside of front frame tube to inside of opposite front frame tube. (Required with V-Front End V. Not Available with Standard Front End I.)

- TFSW1 No Taper.....**STD**



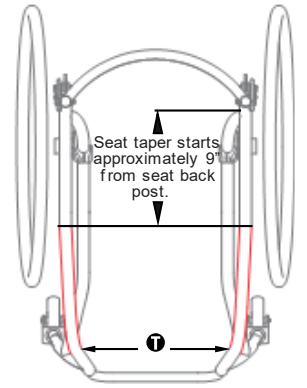
Permobil.com
2701 West Court Street / Pasco, Washington 99301
Email: TiLite_Global_Support@Permobil.com

International TiLite T-Series Order Form

- TFSW2 1" Taper (3" Narrower than Rear Seat Width A. Includes Tension Adjustable by Straps Seat Upholstery.).....\$290
- TFSW4 2" Taper (4" Narrower than Rear Seat Width A. Includes Tension Adjustable by Straps Seat Upholstery.).....\$290

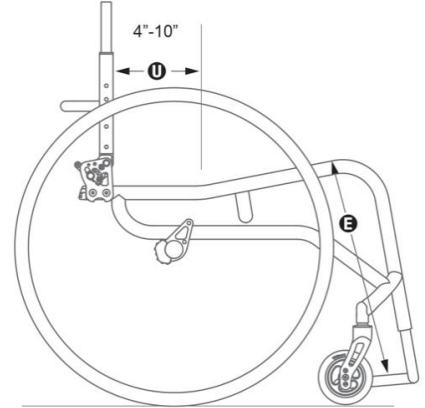
SEAT DEPTH B Measure from front of back post to the front edge of seat sling. Frame bend will start .5" in front of seat sling unless Custom Frame Depth is specified, or the combination of specifications affect the rolling dynamics of the chair.

- TSD1 12" 13" 14" 15" 16" 17" 18" 19".....STD
- TSD2 20".....\$555
- TSD3 Custom Frame Depth: _____" Frame Depth Longer or Shorter Than Seat Depth (Measure from front of seat sling to beginning of frame bend. Ranges from 0.25" to 3" and can be given as specific as 1/4" increments. A negative Custom Frame Depth or specified above 3" may be available through our Creative Mobility Division. A Custom Frame Depth of 20" will have an additional charge).....NCO



ERGONOMIC SEAT U Measure from front of back post to beginning of upward bend of seat tube.

- TERG1 TR Ergonomic Seat (Not available with Tension Adjustable Bolt On Seat Upholstery)
 5" (12.7cm) 6" (15.2cm) 7" (17.8cm) 8" (20.3cm) 9" (22.9cm).....\$410
- TERG2 Aero T and TRA Ergonomic Seat (Center of Gravity adjustment may be affected by this option. Not available with V-Front or Seat Taper, Seat Back that Locks When Folded, Desk Arms, Depth Adjustable Backrests, Fold Down Rigid Sideguards, Fendered Adjustable Sideguards, Solid Seat, Tension Adjustable Bolt On Seat Upholstery, or the Curve cushion.)
 6" (15.2cm) (Minimum Seat Depth B 12") 7" (17.8cm) (Minimum Seat Depth B 12")
 8" (20.3cm) (Minimum Seat Depth B 13")\$410



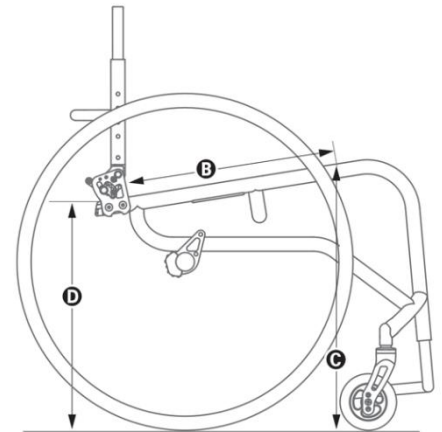
FRONT SEAT HEIGHT C Measure from floor to top of seat tube at front edge of seat sling.

- TFSH1 15" (38.1cm) 16" (40.6cm) 16.5" (41.9cm) 17" (43.2cm) 17.5" (44.5cm)
 18" (45.7cm) 18.5" (47cm) 19" (48.3cm) 19.5" (49.5cm) 20" (50.8cm)
 20.5" (52.1cm) 21" (53.3cm).....STD

REAR SEAT HEIGHT D Measure from floor to top of seat tube at back post.

Rear Wheel Size	Rear Seat Height
20"	12.5"-20" (31.8-53.3 cm)
22"	13.5"-20" (34.3-53.3 cm)
24"	14.5"-20" (15" on AeroT/TRA) (36.8-53.3 cm)
25"	15.0"-20" (38.1-53.3 cm)
26"	15.5"-20" (38.1-53.3 cm)

- TRSH1 13" (33cm) 13.5" (34.3cm) 14" (35.6cm) 14.5" (36.8cm) 15" (38.1cm)
 15.5" (39.4cm) 16" (40.6cm) 16.5" (41.9cm) 17" (43.2cm) 17.5" (44.5cm)
 18" (45.7cm) 18.5" (47cm) 19" (48.3cm) 19.5" (49.5cm) 20" (50.8cm) ..
STD



FRONT ANGLE L Measure from frame front to floor.

- TFA1 70° 75° 80° 85° (Not available with 6" Front Wheels.) 90° (Not available with 5" or 6" Front Wheels.).....STD
- TFA2 Overall Frame Length **M** _____" Measure from front of backrest to Front Edge of Footrest.....NCO

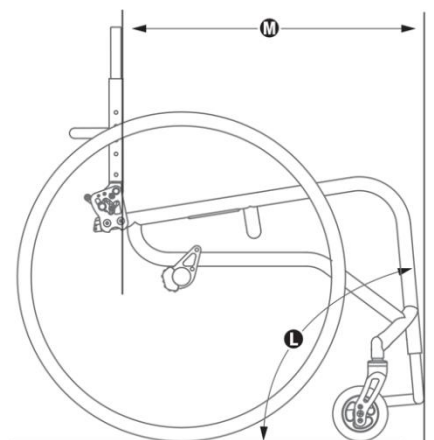
TiFit: TAILORED INDIVIDUALIZED FRAME

SEAT TO FOOTEST E Measure from front edge of seat sling to top rear of footrest.

Standard Footrests Measurement must be at least 2" shorter than Front Seat Height C.

- 13.5" (34.3cm) 14" (35.6cm) 14.5" (36.8cm) 15" (38.1cm) 15.5" (39.4cm) 16" (40.6cm)
 16.5" (41.9cm) 17" (43.2cm) 17.5" (44.5cm) 18" (45.7cm) 18.5" (47cm) 19" (48.3cm)

- TFTR3 Angle Adjustable Footrest.....STD
- TFTR1 Titanium Footrest w/Flat ABS Cover.....\$195
- TFTR2 Titanium Open Loop Footrest.....\$260
- TFTR12 Flip-Back Footrest (Not available with ABS Cover with 2" Sides or Front Roller.)...\$215
- High Mount Footrest**
 7"-9" 9"-11" 11"-13" Set at _____ (Use 1/2" increments)
- TFTR4 Angle Adjustable High Mount Footrest.....\$100



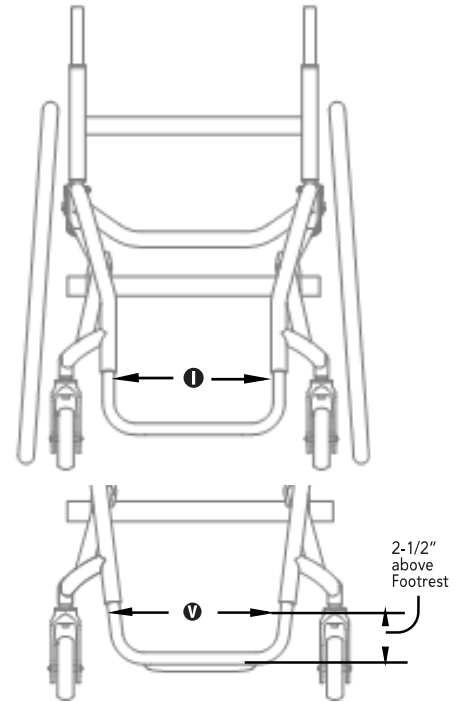
International TiLite T-Series Order Form

FOOTREST WIDTH I or **V** Select either a Standard Front End I if no Seat Taper T is selected or a V-Front End V if a Seat Taper T is selected.

STANDARD FRONT END I Find your Rear Seat Width A in the Chart below and select one of the options to the right. Measure from inside of front frame tube to inside of opposite front frame tube.

TFE1 **NO V-Front Taper**.....**STD**

REAR SEAT WIDTH A <small>(Outside Measurement)</small>	FOOTREST WIDTH I		
	No Taper <small>(2" Narrower than Rear Seat Width)</small>	2" Taper <small>(4" Narrower than Rear Seat Width)</small>	4" Taper <small>(6" Narrower than Rear Seat Width)</small>
12"	<input type="checkbox"/> 10"	<input type="checkbox"/> 8"	
13"	<input type="checkbox"/> 11"	<input type="checkbox"/> 9"	
14"	<input type="checkbox"/> 12"	<input type="checkbox"/> 10"	<input type="checkbox"/> 8"
15"	<input type="checkbox"/> 13"	<input type="checkbox"/> 11"	<input type="checkbox"/> 9"
16"	<input type="checkbox"/> 14"	<input type="checkbox"/> 12"	<input type="checkbox"/> 10"
17"	<input type="checkbox"/> 15"	<input type="checkbox"/> 13"	<input type="checkbox"/> 11"
18"	<input type="checkbox"/> 16"	<input type="checkbox"/> 14"	<input type="checkbox"/> 12"
19"	<input type="checkbox"/> 17"	<input type="checkbox"/> 15"	<input type="checkbox"/> 13"
20"	<input type="checkbox"/> 18"	<input type="checkbox"/> 16"	<input type="checkbox"/> 14"



V-FRONT END V Measure from inside of front frame tube to inside of opposite front frame tube 2-1/2" above footrest. (Titanium Footrests have 1" of adjustment up and down. Not available with Ergonomic Seat frames. 1/2" increment settings available through Creative Mobility Division)

TFE2 **V-Front Taper**.....**\$115**
 9" (22.9cm) 10" (25.54cm) 11" (27.9cm)
 12" (30.5cm) 13" (33cm) 14" (35.6cm)
 15" (38.1cm)

BACK SUPPORTS

ROHO® AGILITY® ACTIVE ALUMINUM Contour Back Support

Shell Height 8" 10"
 SBRS14 AGILITY Active Aluminum Min Contour with Foam.....**\$610**
 SBRS15 AGILITY Active Aluminum Mid Contour with Foam.....**\$610**

ROHO® AGILITY® ACTIVE CARBON Contour Back Support (New 3k Weave Carbon Fiber)

Shell Height 10" 13" 16"
 AGILITY Carbon Min Contour Back with Foam w/ Air Insert
 SBRS7 Foam w/ Air Insert.....**\$682**
 ACB1 AGILITY Active Carbon Upgrade (Not available with Bolt-on Push Handles).....**\$343**
 Fixed Hardware (Not available with 18" Shell Height or Folding Chairs.).....**NCO**

AGILITY Carbon Mid Contour Back with Foam w/ Air Insert
 SBRS9 Foam w/ Air Insert.....**\$693**
 ACB2 AGILITY Active Carbon Upgrade (Not available with Bolt-on Push Handles).....**\$332**
 Fixed Hardware (Not available with 18" Shell Height or Folding Chairs.).....**NCO**

COMFORT ACTA-EMBRACE® Back Support

Shell Height 10" 12" 14" 16"
 SBRS16 Acta-Embrace Back with 2-PT Quick Release Compass Hardware.....**\$546**
 CPSB1 Comfort Privacy Shield.....**\$37**

COMFORT ACTA-RELIEF Back Support

Shell Height 10" 12" 14" 16"
 SBRS13 Acta-Relief Back with 2-PT Quick Release Compass Hardware.....**\$766**
 CPSB1 Comfort Privacy Shield.....**\$37**

BACK UPHOLSTERY

TBUP2 Velcro Adjustable (Not available with Fold-Down Push Handles.).....**STD**
Tension Adjustable by Straps (Required with Fold-Down Push Handles.)
 TBUP3 Padded Nylon.....**\$110**
 TBUP5 AIR Breathable Upholstery
 (Not available with Ultrasuede or NiteLite Backrest Stripe.).....**\$195**
 TUPC3 Ultrasuede Backrest Stripe Black.....**\$100**
 TBUP0 Omit Back Upholstery.....**NCO**

International TiLite T-Series Order Form

TiFit: TAILORED INDIVIDUALIZED FRAME

SEAT BACK TYPE/PUSH HANDLES/SEAT BACK HEIGHT F Measure from top of back post to top of seat tube at rear of frame.

- TSB1 Folding Aluminum Adjustable Height Back (Required for Heavy Duty Frame.).....**STD**
- TSB2 Folding Titanium Adjustable Height Back and Rounded Rigidizer Bar (Titanium back will match Frame Finish. Not available with Bolt-On Push Handles.).....**\$255**
- TSB15 Non-Folding, Fixed Height Titanium with Rounded Rigidizer Bar (Not Available with Aero T or TRA. Titanium back will match Frame Finish. Not available with Push Handles.).....**\$280**

TISHAFT™ BACK RELEASE BARS (Not available with Non-Folding, Fixed Height Titanium Back.)

- TSB3 Aluminum.....**STD**
- TSB5 New 3k Weave Carbon Fiber.....**\$75**

PUSH HANDLES

- TSB6 Integrated Push Handles.....**NCO**
- TSB7 Integrated Fold-Down Push Handles (Requires Tension Adjustable by Straps Back Upholstery.).....**\$115**
- TSB8 Bolt-On Push Handles (Includes 4" Deep Backrest Rigidizer Bar. Not available with Ti Back.).....**\$195**
- TSB9 Bolt-On Height-Adjustable Push Handles (Includes 4" Deep Backrest Rigidizer Bar. Not available with Ti Back.).....**\$335**

FOLDING SEAT BACK HEIGHT F (TSB1 and TSB2)

Push Handles (Selected Above)	Short	Medium	Tall	Set at: (Use 1/2" increments)
None/ Bolt-On	<input type="checkbox"/> 9.5"-12.5"	<input type="checkbox"/> 13"-17.5"	<input type="checkbox"/> 17"-21.5"	Set at: _____
Integrated	<input type="checkbox"/> 11.5"-13.5"	<input type="checkbox"/> 14.5"-17.5"	<input type="checkbox"/> 18.5"-21.5"	Set at: _____
Integrated Fold-Down	<input type="checkbox"/> 14"-16.5"	<input type="checkbox"/> 15"-19.5"	<input type="checkbox"/> 19.5"-22"	Set at: _____

NON-FOLDING, FIXED-HEIGHT F TITANIUM SEAT BACK with Rounded Rigidizer Bar (TSB15) (Not Available on Aero T or TRA. Titanium back will match Frame Finish. Required for fixed Side Guards. Not available with Swing Away Tubular or Swing Away - Flip Back Tubular Armrests and Integrated Push Handles, Integrated Fold-Down Push Handles or Bolt-On Height Adjustable Push Handles.)

- 5" (12.7cm) 5.5" (14cm) 6" (15.2cm) 6.5" (16.5cm) 7" (17.8cm) 7.5" (19.1cm) 8" (20.3cm)
- 8.5" (21.6cm) 9" (22.9cm) 9.5" (24.1cm) 10" (25.4cm) 10.5" (26.7cm) 11" (27.9cm) 11.5" (29.2cm)
- 12" (30.5cm) 12.5" (31.8cm) 13" (33cm) 13.5" (34.3cm) 14" (35.6cm) 14.5" (36.8cm) 15" (38.1cm)
- 15.5" (39.4cm) 16" (40.6cm) 16.5" (41.9cm) 17" (43.2cm) 17.5" (44.5cm) 18" (45.7cm) 18.5" (47cm)
- 19" (48.3cm) 19.5" (49.5cm) 20" (50.8cm)

AVAILABLE ON ALL BACKS

- TSB11 Backrest that Locks when Folded (Not available with Ergonomic Seat.).....**STD**
- TSB12 4" Deep Backrest Rigidizer Bar (Not available with a Non-Folding, Fixed Height Titanium Seat Back Type. 4" Deep Rigidizer Bar is NOT a rounded style rigidizer bar.).....**NCO**

SEAT BACK ANGLE G Measure angle from front of back post to floor.

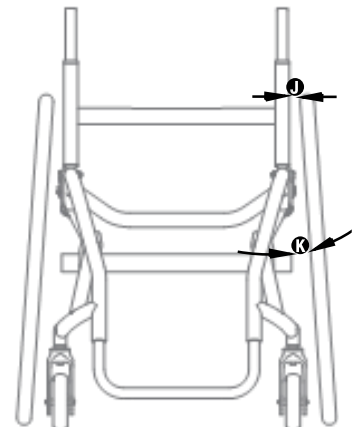
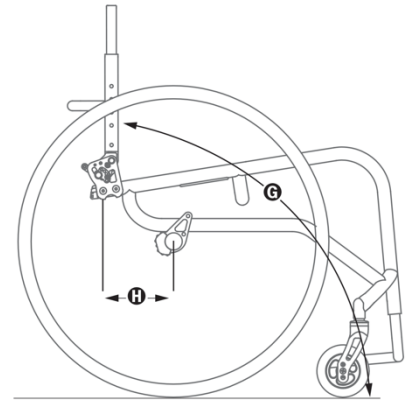
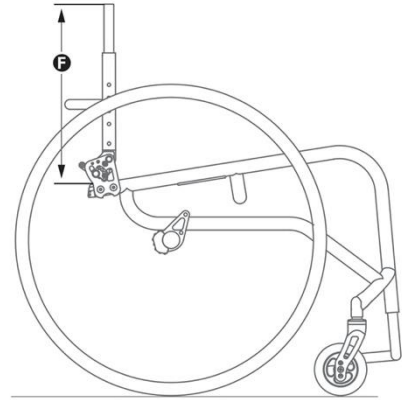
- TSBA1 **Folding Back**
 80° 83° 86° 89° 92° 95° 98° 101°.....**STD**
- TSBA1 **Non-Folding Back**
 80° 81° 82° 83° 84° 85° 86° 87° 88° 89° 90°
 91° 92° 93° 94° 95° 96° 97° 98° 99° 100° 101°.....**NCO**

CENTER OF GRAVITY H Measure from front of back post at the seat tube to the center of the rear axle. If no center of gravity is selected, chair will ship with the center of gravity in the rearward-most position.

- TCOG1 1" (2.5cm) 1.25" (3.2cm) 1.5" (3.8cm) 1.75" (4.4cm) 2" (5.1cm)
 2.25" (5.7cm) 2.5" (6.4cm) 2.75" (7cm) 3" (7.6cm) 3.25" (8.3cm)
 3.5" (8.9cm) 3.75" (9.5cm) 4" (10.2cm) 4.25" (10.8cm) 4.5" (11.4cm)
 4.75" (12.1cm) 5" (12.7cm).....**STD**

REAR WHEEL SPACING J /PLUGS Measure from outside of seat back post to inside of rear tire. TRA 0.75" Rear Wheel Spacing not available with 0° or 2° Camber K. Ergonomic Seat selection may limit available center of gravity.

- TRWS1 0.75" 1" 1.25".....**STD**
- TCBR12 Adjustable Rear Wheel Spacing Camber Plugs.....**STD**
- TCBR9 Additional Spacers to Increase Rear Wheel Spacing.....**NCO**
- TCBR11 Zero Play Aluminum Camber Plugs (Not available with Power Adaptable Frame or more than 6° of Camber K.).....**NCO**



International TiLite T-Series Order Form

CAMBER K /CAMBER TUBES

TCBR1	<input type="checkbox"/> 0° <input type="checkbox"/> 2° <input type="checkbox"/> 4° <input type="checkbox"/> 6° (8° of Camber K may be available through our Creative Mobility Division.)	STD
TCBR15	<input type="checkbox"/> Aluminum Camber Tube	STD
TCBR3	<input type="checkbox"/> Titanium Camber Tube (Not available with Power Adaptable Frame.)	\$195

SEAT UPHOLSTERY

TSUP1	<input type="checkbox"/> Tension Adjustable Bolt On (Not available with Ergonomic Seat or Tapered Seat T. Black only.)	STD
TSUP2	<input type="checkbox"/> Tension Adjustable by Straps (Standard with Ergonomic Seat and FSW (Seat Taper) T of 1", 2" or 3". Black upholstery only.)	\$170
TSUP8	<input type="checkbox"/> Aluminum Solid Seat (Not available with 10" or 11" Rear Seat Width A, Ergonomic Seat U requires CMD 016)	\$280
TSUP0	<input type="checkbox"/> Omit Seat Upholstery	NCO

SEAT CUSHION (Want more seating options? [Click here](#) to view the new TiLite Seating Order Form.)

TCSH2	<input type="checkbox"/> Comfort Curve Cushion (Stretch-Air cover)	\$105
TCSH23	<input type="checkbox"/> Comfort Acta-Embrace™ Comfort-Tek Zero Elevation Cushion	\$363
TCSH11	<input type="checkbox"/> ROHO® Single Compartment (Fits seat widths 14" to 19") Profile: <input type="checkbox"/> Low <input type="checkbox"/> Mid <input type="checkbox"/> High	\$482
TCSH14	<input type="checkbox"/> ROHO® QUADTRO SELECT® Cushion (Fits seat widths 14" to 19") Profile: <input type="checkbox"/> Low <input type="checkbox"/> Mid <input type="checkbox"/> High	\$482
TCSH16	<input type="checkbox"/> ROHO® Hybrid Select (Fits seat widths 14" to 18", and 20")	\$515
TCSH17	<input type="checkbox"/> Vicair Vector 02 with Comfair Cover (Fits seat widths A 14" to 19". Non-stock upcharges may apply.)	\$476

CUSTOM CONFIGURATION OPTIONS

FRONT WHEELS

TFW24	<input type="checkbox"/> 3"x1.5" LiteSpeed Billet Aluminum Wheel w/Soft Roll Tire <input type="checkbox"/> Silver Hub OR <input type="checkbox"/> Black Hub	\$175
TFW14	<input type="checkbox"/> 4"x.75" Plastic Wheel w/Poly Tire (Not available with Slipstream Fork, Glide™ Single-Sided Fork or Power Adaptable Frame.)	NCO
TFW3	<input type="checkbox"/> 4"x.75" Light-Up Micro-Caster (Not available with Slipstream Fork, Glide™ Single-Sided Fork or Power Adaptable Frame.)	\$75
TFW26	<input type="checkbox"/> 4"x1.5" LiteSpeed Plastic Wheel w/Soft Roll Tire (Not available with Power Assist, Power Add-on System or Heavy Duty Frame.)	\$95
TFW27	<input type="checkbox"/> 4"x1.5" LiteSpeed Billet Aluminum Wheel w/Soft Roll Tire <input type="checkbox"/> Silver Hub OR <input type="checkbox"/> Black Hub	\$185
TFW6	<input type="checkbox"/> 5"x1" Plastic Wheel w/Poly Tire (Not available with 90° Front Angle L, Slipstream Fork, Glide™ Single-Sided Fork or Power Adaptable Frame.)	NCO
TFW28	<input type="checkbox"/> 5"x1.5" LiteSpeed Plastic Wheel w/Soft Roll Tire (Not available with 90° Front Angle L or Power Adaptable Frame.)	\$95
TFW30	<input type="checkbox"/> 5"x1.5" LiteSpeed Billet Aluminum Wheel w/Soft Roll Tire <input type="checkbox"/> Silver Hub OR <input type="checkbox"/> Black Hub (Not available with 90° Front Angle L.)	\$205
TFW9	<input type="checkbox"/> 6"x1" Plastic Wheel w/Poly Tire (Not available with 85° or 90° Front Angle L, Slipstream Fork, Glide™ Single-Sided Fork or Power Adaptable Frame.)	NCO
TFW32	<input type="checkbox"/> 6"x1.5" LiteSpeed Plastic Wheel w/Soft Roll Tire (Not available with 85° or 90° Front Angle L, Slipstream Fork, Glide™ Single-Sided Fork or Power Adaptable Frame.)	\$100
TFW33	<input type="checkbox"/> 6"x1.5" LiteSpeed Billet Aluminum Wheel w/Soft Roll Tire <input type="checkbox"/> Silver Hub OR <input type="checkbox"/> Black Hub (Not available with 85° or 90° Front Angle L, Slipstream Fork, Glide™ Single-Sided Fork.)	\$215

PRECISION LOCK FRONT FORKS

TFK1	<input type="checkbox"/> TiLite Standard Fork	STD
TFK2	<input type="checkbox"/> TiLite Slipstream Single-Sided Fork (Not available with Power Adaptable Frame.)	\$195
TGL1	<input type="checkbox"/> Out-Front Glide™ Suspension Fork (Black anodize only.)	\$480
	Rider's Weight: <input type="checkbox"/> 125 lbs. <input type="checkbox"/> 125-180 lbs. <input type="checkbox"/> 180-265 lbs.	
TTFS1	<input type="checkbox"/> Titanium Fork Stem	\$55

STANDARD REAR WHEELS (See Rear Seat Height Ranges Chart for Rear Seat Height D limitations.)

TRW14	TiLite SHADOW™	STD
	<input type="checkbox"/> 20"(451)	
	<input type="checkbox"/> 22"(501)	
	<input type="checkbox"/> 24"(540)	
	<input type="checkbox"/> 25"(559) (Requires 15" minimum Seat Depth B.)	
	<input type="checkbox"/> 26"(590) (Requires 15" minimum Seat Depth B.)	

PERFORMANCE REAR WHEELS (See Rear Seat Height Ranges Chart for Rear Seat Height D limitations.)

TRW7	Spinergy SPOX <input type="checkbox"/> Black <input type="checkbox"/> Red <input type="checkbox"/> Yellow <input type="checkbox"/> Blue <input type="checkbox"/> White	\$735
	<input type="checkbox"/> 22"(501) - Std. Hub	
	<input type="checkbox"/> 24"(540) - Std. Hub	
	<input type="checkbox"/> 25"(559) - Std. Hub (Requires 15" minimum Seat Depth B.)	
	<input type="checkbox"/> 26"(590) - Std. Hub (Requires 15" minimum Seat Depth B.)	
TRW8	Spinergy LX <input type="checkbox"/> Black <input type="checkbox"/> Red <input type="checkbox"/> Blue <input type="checkbox"/> White <input type="checkbox"/> Bright Orange <input type="checkbox"/> Flamingo Pink	\$995
	<input type="checkbox"/> 22"(501) - Std. Hub	
	<input type="checkbox"/> 24"(540) - Std. Hub	
	<input type="checkbox"/> 25"(559) - Std. Hub (Requires 15" minimum Seat Depth B.)	
	<input type="checkbox"/> 26"(590) - Std. Hub (Requires 15" minimum Seat Depth B.)	
	<input type="checkbox"/> 25"(559) (Requires 15" minimum Seat Depth B.)	

International TiLite T-Series Order Form

TRW9	New Spinerity Design Lab LX Wheels <i>(If same color is selected, anodized hubs and rims match color anodized package on page 1. Available with black spokes only.)</i> <input type="checkbox"/> Gold Anodize <input type="checkbox"/> Green Anodize <input type="checkbox"/> Blue Anodize <input type="checkbox"/> Red Anodize <input type="checkbox"/> Purple Anodize <input type="checkbox"/> Orange Anodize..... \$1,260 <input type="checkbox"/> 22"(501) - Std. Hub <input type="checkbox"/> 24"(540) - Std. Hub <input type="checkbox"/> 25"(559) - Std. Hub <i>(Requires 15" minimum Seat Depth B.)</i> <input type="checkbox"/> 26"(590) - Std. Hub <i>(Requires 15" minimum Seat Depth B.)</i>	
TRW16	New Spinerity® Carbon Blade with 3k Carbon Fiber <i>(Not available with Heavy Duty Frame.)</i> \$1,480 <input type="checkbox"/> 24"(540) <input type="checkbox"/> 25"(559) <i>(Requires 15" minimum Seat Depth B.)</i>	
TRW17	X-Core Mag <i>(Not available with Heavy Duty Frame, Short Tabs, Quad Release Axles, Spoke Guards or Omit Handrims Option. Requires Aluminum Silver Anodized Handrims.)</i> \$110 <input type="checkbox"/> 20"(451) <input type="checkbox"/> 22"(501) <input type="checkbox"/> 24"(540)	

AXLES

TAXL1	<input type="checkbox"/> Stainless Quick Release.....	STD
TAXL2	<input type="checkbox"/> Titanium Quick Release.....	\$250
TAXL3	<input type="checkbox"/> Quad Release <i>(Not available with Mag or 26"(590) Spinerity Spox or LX Rear Wheels.)</i>	\$155

PNEUMATIC REAR TIRES

TRTR1	<input type="checkbox"/> Treaded <i>(Not available with 25"(559) or 20" (451) Rear Wheels.)</i>	STD
TRTR2	<input type="checkbox"/> Airless Inserts <i>(Not available with Spinerity Carbon Blade Rear Wheels.)</i>	\$95
TRTR31	<input type="checkbox"/> New MBL SpeedLite 20"(451), 22"(501), 24"(540), 25"(559) and 26"(590)	STD
TRTR30	<input type="checkbox"/> 24"(540), 25"(559) and 26"(590) Primo Sentinel.....	\$130
TRTR8	<input type="checkbox"/> 24"(540), 25"(559) and 26"(590) Schwalbe® Marathon Plus Evolution.....	\$105
TRTR9	<input type="checkbox"/> 24"(540) and 25"(559) Schwalbe® Slick.....	\$105
TRTR24	<input type="checkbox"/> 24"(540) Kenda Kobra Knobby.....	\$90

SOLID REAR TIRES *(Not available with Spinerity Carbon Blade Rear Wheels.)*

TRTR22	<input type="checkbox"/> 20"(451), 22"(501), 24"(540) and 25"(559) Primo Express.....	\$110
TRTR23	<input type="checkbox"/> 24"(540) and 25"(559) Primo Active.....	\$135

HANDRIMS

Handrims by OUT-FRONT®

TRIM1	<input type="checkbox"/> Aluminum – Silver Anodized.....	STD
TRIM21	<input type="checkbox"/> Aluminum – Black Anodized <i>(Not available with 20"(451) Rear Wheels.)</i>	\$55
TRIM12	<input type="checkbox"/> Titanium – Satin Finish <i>(Not available with 20"(451) or 22"(501) Rear Wheels, or 24"(540) Knobby tires.)</i>	\$455
TRIM10	<input type="checkbox"/> The Surge (All-In-One Oval with Gription™ Strip, Larger Profile) <i>(Not available with 20"(451) Rear Wheels.)</i>	\$365
TRIM11	<input type="checkbox"/> The Surge LT (All-In-One Oval with Gription™ Strip, Smaller Profile) <i>(Not available with 20"(451) Rear Wheels.)</i>	\$395
TRIM20	<input type="checkbox"/> Q-Grip (Exclusive High-Friction, Anti-Slip Coating) <i>(Not available with 20"(451) Rear Wheels.)</i>	\$335
The Natural-Fit® (Original, Larger Profile) <i>(Not available with 20"(451) Rear Wheels.)</i>		
TRIM14	<input type="checkbox"/> Standard Grip <i>(Not available with Short Tabs or Spinerity Carbon Blade Rear Wheels.)</i>	\$355
TRIM15	<input type="checkbox"/> Super Grip <i>(Not available with Short Tabs or Spinerity Carbon Blade Rear Wheels.)</i>	\$400
TRIM16	<input type="checkbox"/> Without Thumb Grip.....	\$330
The Natural-Fit® LT (Reduced Weight, Smaller Profile) <i>(Not available with 20"(451) Rear Wheels.)</i>		
TRIM17	<input type="checkbox"/> Standard Grip <i>(Not available with Short Tabs or Spinerity Carbon Blade Rear Wheels.)</i>	\$385
TRIM18	<input type="checkbox"/> Super Grip <i>(Not available with Short Tabs or Spinerity Carbon Blade Rear Wheels.)</i>	\$435
TRIM19	<input type="checkbox"/> Without Thumb Grip.....	\$360

Additional Handrim Options

TRIM5	<input type="checkbox"/> Plastic Coated – Black.....	\$130
TRIM22	<input type="checkbox"/> Omit Handrims.....	NCO

Tab Length

TRIM7	<input type="checkbox"/> Long Tabs.....	STD
TRIM8	<input type="checkbox"/> Short Tabs <i>(Not available with Mag Rear Wheels or The Natural-Fit® Handrims with Thumb Grip.)</i>	\$20

WHEEL LOCKS

Wheel Locks by OUT-FRONT®

TWLK7	<input type="checkbox"/> Compact Composite Push to Lock <i>(Available with .75" to 1.5" Rear Wheel Spacing) only.)</i>	NCO
TWLK8	<input type="checkbox"/> Compact Composite Pull to Lock <i>(Available with .75" to 1.5" Rear Wheel Spacing) only.)</i>	NCO
TWLK10	<input type="checkbox"/> Extension Handles for Compact Composite Push/Pull to Lock.....	\$80

Additional Wheel Locks

TWLK11	<input type="checkbox"/> New MBL Composite Scissor Lock	\$145
TWLK3	Uni-Lock Set At: <input type="checkbox"/> Push OR <input type="checkbox"/> Pull.....	\$165
TWLK4	<input type="checkbox"/> Extension Handles for Uni-Lock.....	\$80
TWLK15	<input type="checkbox"/> Grade Aids Push to Lock <i>(Not available with solid rear tires.)</i>	\$180

International TiLite T-Series Order Form

CUSTOM CONFIGURATION OPTIONS

SIDE GUARDS

Aluminum

TSDG2	<input type="checkbox"/> Rigid Removable	<input type="checkbox"/> Small	OR	<input type="checkbox"/> Std.	\$195
TSDG3	<input type="checkbox"/> Quad Removable w/Hole	<input type="checkbox"/> Small	OR	<input type="checkbox"/> Std.	\$205
TSDG4	<input type="checkbox"/> Fold Down Rigid	<input type="checkbox"/> Small	OR	<input type="checkbox"/> Std. (Not available with Ergonomic Seat.)	\$335
TSDG6	<input type="checkbox"/> Fendered Adjustable (Available with 24" and 25" Rear Wheels. Requires Rear Seat Height D of 14.5" to 18.5").				\$335

New 3k Weave Carbon Fiber

TSDG7	<input type="checkbox"/> Rigid Removable	<input type="checkbox"/> Small	OR	<input type="checkbox"/> Std.	\$305
TSDG8	<input type="checkbox"/> Quad Removable w/Hole	<input type="checkbox"/> Small	OR	<input type="checkbox"/> Std.	\$315
TSDG9	<input type="checkbox"/> Fold Down Rigid	<input type="checkbox"/> Small	OR	<input type="checkbox"/> Std. (Not available with Ergonomic Seat or Carbon Edition.)	\$455
TSDG11	<input type="checkbox"/> Fendered Adjustable (Available with 24" and 25" Rear Wheels. Requires Rear Seat Height D of 14.5" to 18.5").				\$450
TSDG12	<input type="checkbox"/> Fendered Removable				\$450

Available on Aluminum and Carbon Fiber Non-Fendered Side Guards

TSDG13	<input type="checkbox"/> Side Guards Custom Cut to Profile of Rear Wheels				\$310
--------	---	--	--	--	-------

ARMRESTS (Desk Arms come with built-in Side Guards.)

TARM1	Swing Away Tubular	<input type="checkbox"/> 6.5" to 9.5"	OR	<input type="checkbox"/> 9.5" to 12.5" (Not Available with Non-Folding, Fixed Height Titanium Seat Back or Height Adjustable Push Handles.)	\$215
TARM4	<input type="checkbox"/> Swing Away - Flip Back Tubular	8.5" to 11.5" (Not Available with Non-Folding, Fixed Height Titanium Seat Back.)			\$310
TARM2	Removable Height Adjustable Desk Arm with Rigid Side Guard (Requires 14" minimum Seat Depth B. Not available with Ergonomic Seat.)				\$335
		<input type="checkbox"/> 9" to 12" OR <input type="checkbox"/> 12" to 15"			
		<input type="checkbox"/> Standard Length Pad (10") OR <input type="checkbox"/> Full Length Pad (14")			
TARM3	Removable Height Adjustable Desk Arm with Rigid Side Guard and Transfer Loop (Requires 15" minimum Seat Depth B. Not Available with Ergonomic Seat.)				\$365
		<input type="checkbox"/> 9" to 12" OR <input type="checkbox"/> 12" to 15"			
		<input type="checkbox"/> Standard Length Pad (10") OR <input type="checkbox"/> Full Length Pad (14")			

Available Armrest Option

TARM5	<input type="checkbox"/> Covered in Black Ultrasuede (Not available with Desk Arms)				\$110
-------	---	--	--	--	-------

SEAT BELTS

TBLT1	<input type="checkbox"/> Velcro Adjustable, Black Nylon Webbing		\$45
TBLT2	<input type="checkbox"/> Bodypoint® 2" Push-Button Buckle (Auto-Style.)		\$100
TBLT4	<input type="checkbox"/> Bodypoint® 1" Wide Push-Button Buckle Padded (Auto-Style.) (Not available with 19" or 20" Rear Seat Widths A.)		\$185
TBLT5	<input type="checkbox"/> Bodypoint® 1.5" Wide Push-Button Buckle Padded (Auto-Style.) (Not available with 19" or 20" Rear Seat Widths A.)		\$175
TBLT10	<input type="checkbox"/> Bodypoint® Optional Band Clamp Mounting Hardware		\$20
TBLT16	<input type="checkbox"/> Bodypoint® EvoFlex® Pelvic Stabilizer Push Button		\$190

CALF STRAP

TCLF2	Velcro Adjustable		\$35
		<input type="checkbox"/> Small (Recommended for 9" - 12" Footrest Widths.)	
		<input type="checkbox"/> Medium (Recommended for 11" - 15" Footrest Widths.)	
		<input type="checkbox"/> Large (Recommended for 14" - 17" Footrest Widths.)	
		<input type="checkbox"/> Xtra Large (Recommended for 16" - 19" Footrest Widths.)	
TCLF3	Bodypoint® Padded Velcro Adjustable		\$105
		<input type="checkbox"/> Medium (Recommended for 11" - 15" Footrest Widths.)	
		<input type="checkbox"/> Large (Recommended for 16" - 19" Footrest Widths.)	
TCLF1	<input type="checkbox"/> Buckle Adjustable, Black Nylon Webbing		\$25

RESIDUAL LIMB SUPPORT

TRSL1	<input type="checkbox"/> Residual Limb Support	<input type="checkbox"/> Left	OR	<input type="checkbox"/> Right (8" width x 10" length)	\$405
TRSL2	<input type="checkbox"/> Residual Limb Support Pair (8" width x 10" length)				\$815

BACKPACK

TBCK3	<input type="checkbox"/> Black Permobil Backpack				\$95
-------	--	--	--	--	------

SEAT POUCH

TPCH3	<input type="checkbox"/> Black Permobil Seat Pouch				\$55
TPCH4	<input type="checkbox"/> Bodypoint® Mobility Bag				\$105

SPOKE GUARDS

TGRD1	<input type="checkbox"/> Clear Lexan with TiMotion Logo (Not available with Mag Rear Wheels.)				\$130
-------	---	--	--	--	-------

ANTI-TIPS

TTIP1	<input type="checkbox"/> Rear Aluminum - Black				\$160
TTIP7	<input type="checkbox"/> Black Aluminum Single				\$80
	Mount on <input type="checkbox"/> Left Side or <input type="checkbox"/> Right Side				NCO
TTIP2	<input type="checkbox"/> User Friendly Flip-up (Not available with Frog Legs® Rear Suspension.)				\$345

International TiLite T-Series Order Form

Effective November 2, 2021 (New Items in Red)

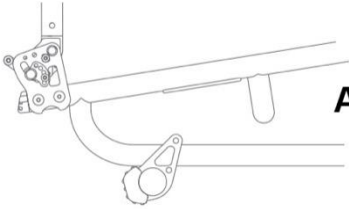
DUAL-TUBE RIGID FRAME

Page 8 of 8

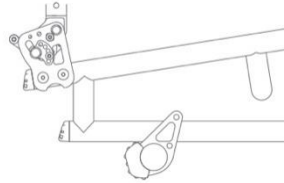
TTIP8	<input type="checkbox"/> User Friendly Flip-up Single.....	\$165
	Mount on <input type="checkbox"/> Left Side or <input type="checkbox"/> Right Side.....	NCO
ACCESSORIES		
TUEST1	Upper Extremity Support Tray <input type="checkbox"/> 12" to 14" OR <input type="checkbox"/> 13" to 15" Seat Widths A (Requires Armrests.).....	\$285
TLUG1	<input type="checkbox"/> Luggage Carriers.....	\$145
TMPCT2	Neoprene Impact Guards with Ultrasuede Stripe <input type="checkbox"/> Black.....	\$105
TCH1	<input type="checkbox"/> Crutch Holder.....	\$145

FRAME NOTES

The rear frame for a TR will be square when the Center of Gravity H measurement is less than 3.5". Aero T and TRA will always be a Rounded Rear Frame.



A. Round rear frame



B. Square rear frame

GENERAL

More options and frame modifications may be available through our Creative Mobility Division! Please contact customer service for details or [click here](#) to view options.

Permobil manufactures TiLite manual wheelchairs in a wide variety of configurations to meet the varied needs of wheelchair users. The final selection of a particular model, its options and accessories, and its measurements rests solely with the wheelchair user and advising healthcare professional. These wheelchairs must be fitted by a qualified healthcare professional. HCPCS Codes are for reference purposes only. Actual coding and coverage varies by payer. Proper HCPCS coding is not a guarantee of payment. Please verify the appropriate payer's coverage policy.

Get the latest order forms at permobilus.com. Prices, standard features, options and accessories are subject to change without notice. All rights reserved. Trademarks are identified by symbols™ and ®. TiLite, TiFit, the TiLite logo, Ti, the Ti logo, and TiShaft are registered trademarks of TiSport, LLC and are licensed to Permobil. Permobil® is a registered trademark of Permobil. Adobe®, Acrobat®, Acrobat Professional® and Reader® are registered trademarks of Adobe Systems Inc. Bodypoint® is a registered trademark of Bodypoint Inc. Kenda® is a registered trademark of Kenda Rubber Industrial Co. Ltd. ROHO®, AGILITY®, Low Profile® and Quadtro Select® are registered trademarks of ROHO Inc. Schwalbe® is a registered trademark of Ralf Bohle GmbH. The Natural-Fit® and Out-Front® are registered trademarks of Three Rivers Holdings, LLC. The ACTA-BACK®, ACTA-EMBRACE™, COMFORT-TEK™, COMPASS®, CURVE®, ELEMENTS®, and STRETCH AIR™ are registered trademarks of THE COMFORT COMPANY® and are licensed to Permobil. Q'Straint® is a registered trademark of Q'Straint Inc.

NOTES

QUOTE THIS CHAIR

If you are using Adobe Acrobat, this order form may be converted into a quote request or into an order by clicking one of the buttons (this feature is available exclusively to Permobil dealers and distributors). A Quote or an Order Confirmation will be sent to you within 24 hours.

ORDER THIS CHAIR