

International X Series Order Form

PROVIDER INFORMATION		RTS INFORMATION		
PROVIDER:	Account #:	RTS:	Phone:	
PO:	Ordered By:	Email:		
Email:		SHIP TO INFORMATION		
Mark For:	User Weight:	Name:	Ship Via:	
TiLite Sales Rep:		Address:		
TiLite Information:	Promo Code:	City:	State:	Zip:
Ship Date:	Order #:	Phone:	Fax:	

More options and frame modifications may be available through our Creative Mobility Division! Please contact customer service for details or [click here](#) to view options.

Please Email to the Permobil Manual Customer Service Team at: TiLite_Global_Support@Permobil.com

FRAME STYLE

- AXFS1 **Aero X2 Aluminum Frame** (Full Adjustability. 265 (120.2kg) Pound Weight Limit.).....**\$2,265**
- GXFS4 **2GX2 Titanium Frame** (Full Adjustability. 265 (120.2kg) Pound Weight Limit. Light Weight, High Strength and Vibration Dampening. Not Available with Frame Transit Tie-Down.).....**\$3,820**
- XFS1 **Swing Away**.....**STD**
- XFS3 **Hemi Height Frame** (Available with a Front Seat Height of 13.5" - 20" (34.3-50.8cm). Not Available with Depth Adjustable Back/Frame, 12" or 13" (30.5cm or 33cm) Seat Depth or Heavy Duty Frame.).....**NCO**
- XFS2 **Fixed Front**.....**NCO**
- XHDR1 **Heavy Duty Frame (350 Pound (159 kg) Pound Weight Limit.** Includes Tension Adjustable by Straps Back Upholstery. Available with 18" to 22" (45.7 to 55.9cm) Seat Widths & 16" to 20" (40.6 to 50.8cm) Seat Depths. Not Available with 90° front end).... **\$545**
- XRRF1 **Reinforced Frame** (No charge when 20" (50.8cm) Rear Seat Width and 20" (50.8cm) Seat Depth are selected.).....**\$340**

TRANSIT OPTIONS

- (Please refer to the Aero X2 Transit Tie-Down Option Brochure for important information regarding the Transit Tie-Down Options.)
- XTTDO1 **Aluminum Frame Transit Tie-Down** (Consists of four Tie-Down Brackets. Not Available with 2GX2, Heavy Duty Frame, Hemi Height Frame, Swing Away Tubular Armrests or Swing Away- Flip Back Tubular Armrests. Requires a Folding Stabilizer Bar unless a Depth Adjustable Backrest is selected. Requires minimum seat depth of 14" (35.6cm)).....**\$345**
 - XWTB **Transport Bracket Option** (Consists of four Tie-Down Brackets. Unoccupied Use Only.) (Not Available when Swing Away frame and Heavy Duty Frame are both selected. Not available with Swing Away Tubular Armrest or Swing Away -Flip Back Tubular Armrests. Requires a minimum seat depth of 14" (35.6cm) or 15" (38.1cm) seat Depth with Hemi Height Frame.).....**\$345**

FRAME FINISHES

Natural Finishes

- XFF1 **Satin** (Available with Titanium Frame only.).....**STD**
- XSCBT1 **Satin Finish Buffing Pads**.....**\$20**
- XFF3 **Tattoos** (Tattoos on front frame tubes. Titanium frame finished in Satin . Aluminum frame tattooed in blasted aluminum with clear coat. Tattoos will be trimmed and adjusted to fit your frame.).....**\$335**
- XFF45 **NeedFor Speed** XFF44 **Flower Garden**



- XFF43 **Mosaic**



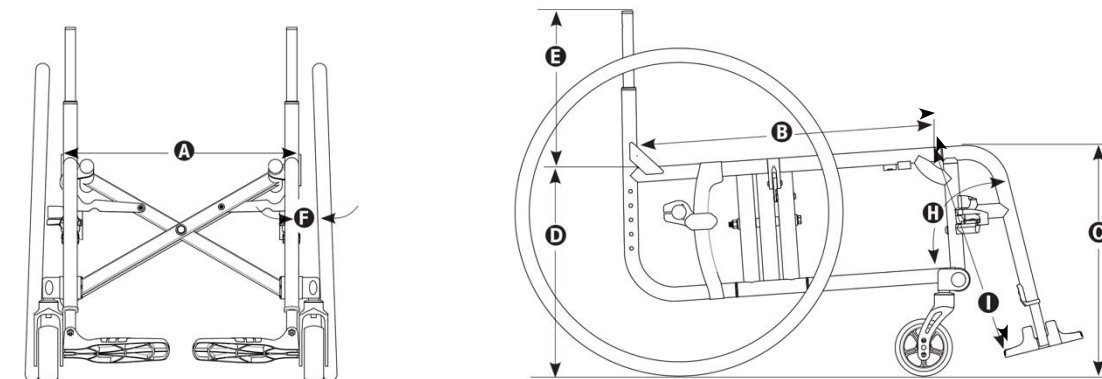
- High Gloss Paint** **XFF8 High Gloss Black** XFF10 TiLite Red XFF29 Neon Pink
- Metallic Paint** XFF14 Ocean Blue Metallic XFF15 Tangerine Metallic XFF30 Acid Green Metallic
- Pearlescent Paint** XFF17 Midnight Blue Pearl XFF18 White Pearl
- Matte Paint** XFF19 Black Lava XFF27 Titanium Grey
- Candy Paint** XFF22 Ruby Red XFF23 Azure Blue XFF25 Electric Plum
- Matte Textured Paint** XFF40 Hyper Blue XFF41 Flame Orange XFF42 OD Green.....**STD**

International X Series Order Form

FRAME MEASUREMENTS

SEAT WIDTH A Measure from outside of seat tube at back post to the outside of the opposite seat tube at back post.

- XSW1 12" (30.5cm) 13" (33cm) 14" (35.6cm) 15" (38.1cm) 16" (40.6cm) 17" (43.2cm)
 18" (45.7cm) 19" (48.3cm)..... **STD**
 XSW2 20" (50.8cm) 21" (53.3cm) 22" (55.9cm) (21" (46cm) and 22" (56cm) Seat Widths A are only available with Heavy Duty Frame.)..... **\$495**



SEAT DEPTH B Measure from 1/2" (1cm) in front of back post to the front edge of seat sling. (12"-14" (30-35.6cm) Seat Depths B not available with 25" (559) and 26" (560) Rear Wheels.)

- XSD1 12" (30.5cm) 13" (33cm) 14" (35.6cm) 15" (38.1cm) 16" (40.6cm) 17" (43.2cm)
 18" (45.7cm) 19" (48.3cm)..... **STD**
 XSD2 20" (50.8cm)..... **\$525**
 XSD3 Custom Frame Depth: _____" Frame Depth Longer Than Seat Depth (Use 1" (2.5cm) increments with a maximum of 2" (5.1cm). A Custom Frame Depth with a maximum of 20" (50.8cm) is \$475.)..... **NCO**

FRONT SEAT HEIGHT C Measure from floor to top of seat tube at front edge of seat sling Adjustable in 1/2" (1.3cm) increments. (13.5" - 14" (34.3-35.6cm) Front Seat Height C requires Hemi Height Frame Style. 20.5" - 21" (52.1-53.3cm) Front Seat Height C not available with Hemi Height Frame Style.

FRONT SEAT HEIGHT RANGES

Front Wheel Size	Front Seat Height C	Hemi Front Seat Height C
3" Front Wheel	14.5" - 18.5" (36.8-47cm)	13.5" - 17.5" (34.3-44.5cm)
3" Front Wheel w/ Glide™	16.0" - 17.5" (40.6-44.5cm)	15.0" - 17.0" (38.1-43.2cm)
4" Front Wheel	15.5" - 19.0" (39.4-48.3cm)	14.5" - 18.0" (36.8-45.7cm)
4" Front Wheel w/ Glide™	16.5" - 18.0" (41.9-45.7cm)	15.5" - 17" (39.4-43.2cm)
5" Front Wheel	16.5" - 19.5" (41.9-49.5cm)	16.0" - 18.5" (40.6-47cm)
5" Front Wheel w/ Glide™	17.5" - 18.5" (44.5-47cm)	16.5" - 18.0" (41.9-45.7cm)
6" Front Wheel	17.5" - 20.0" (44.5-50.8cm)	16.5" - 19.0" (41.9-48.3cm)
6" Front Wheel w/ Glide™	19.0" (48.3cm)	17.5" - 18" (44.5-45.7cm)
8" Front Wheel	19.5" - 21.0" (49.5-53.3cm)	18.5" - 19.5" (47-50.8cm)

- XFSH1 13.5" (34.3cm) 14" (35.6cm) 14.5" (36.8cm) 15" (38.1cm) 15.5" (39.4cm) 16" (40.6cm)
 16.5" (41.9cm) 17" (43.2cm) 17.5" (44.5cm) 18" (45.7cm) 18.5" (47cm) 19" (48.3cm)
 19.5" (49.5cm) 20" (50.8cm) 20.5" (52.1cm) 21" (53.3cm)..... **NCO**

REAR SEAT HEIGHT D Measure from floor to top of seat tube at back post. Adjustable in 3/8" increments.

Rear Wheel Size	Rear Seat Height
22"	13" - 18" (33-45.7cm)
24"	14" - 19" (35.6-48.3cm)
25"	14" - 19" (35.6-48.3cm)
26"	15" - 20" (38.1-50.8cm)

- XRSH1 13" (33cm) 13.5" (34.3cm) 14" (35.6cm) 14.5" (36.8cm) 15" (38.1cm) 15.5" (39.4cm) 16" (40.6cm)
 16.5" (41.9cm) 17" (43.2cm) 17.5" (44.5cm) 18" (45.7cm) 18.5" (47cm) 19" (48.3cm) 19.5" (49.5cm)
 20" (50.8cm)..... **NCO**

BACK SUPPORTS

ROHO® AGILITY® Standard Minimum Contour Back Support (Comes standard with quick release hardware.)

- Shell Height 10" 13" 16" 18"
 BRS5 Foam..... **\$489**
 BRS6 Foam + Lumbar..... **\$587**
 BRS7 Foam w/ Air Insert..... **\$682**
 BRS8 Foam w/ Air Insert + Lumbar..... **\$682**

International X Series Order Form

ROHO® AGILITY® Standard Mid Contour Back Support (Comes standard with quick release hardware.)

- Shell Height** 10" 13" 16" 18"
 BRS9 Foam w/ Air Insert **\$693**
 BRS10 Foam w/ Air Insert + Lumbar **\$693**

BACK SUPPORTS

COMFORT ACTA-EMBRACE® Back Support

- Shell Height** 10" 12" 14" 16"
 SBRS16 Acta-Embrace Back with 2-PT Quick Release Compass Hardware **\$546**
 CPSB1 Comfort Privacy Shield **\$37**

COMFORT ACTA-RELIEF Back Support

- Shell Height** 10" 12" 14" 16"
 SBRS13 Acta-Relief Back with 2-PT Quick Release Compass Hardware **\$766**
 CPSB1 Comfort Privacy Shield **\$37**

SEAT BACK HEIGHT E/SEAT BACK/PUSH HANDLES Measure from top of back post to top of seat tube at rear of frame.

SEAT BACK TYPE

- XSB13 Fixed Angle, Adjustable-Height Seat Back **STD**
 XLB1 Folding Stabilizer Bar (Required with Transit Tie-Down Option unless Depth Adjustable Backrest is selected. Includes Tension Adjustable by Strap Back Upholstery.) **\$390**
 XSB14 Fixed Angle, Adjustable Height Seat Back w/8-Degree Bend. (Not available with Heavy Duty Frame.) **NCO**
 XSB18 Folding Adjustable-Angle and Height Seat Back (Not available with Heavy Duty Frame or Ride Designs® Corbac™.) **\$230**
 XSB16 Depth Adjustable Back/Frame (Not Available with Hemi Height Frame, Heavy Duty Frame, 19" or 20" (48.3 or 50.8cm) Seat Depths B, Swing Away Tubular or Swing Away Flip-Back Armrest. Seat Depths B of 12"-17" (30.5-43.2cm) allow 3" (7.6cm) of rearward adjustment. Seat Depth B of 18" (45.7cm) allow 2" (5.1cm) of rearward adjustment. Requires Tension Adjustable Seat Upholstery.) **NCO**

PUSH HANDLES

- XSB6 Integrated Push Handles **NCO**
 XSB7 Integrated Fold-Down Push Handles (Requires Tension Adjustable by Straps Back Upholstery. Not available with Heavy Duty Frame.) **\$115**
 XSB9 Bolt-On Height Adjustable Push Handles (Requires Tension Adjustable by Straps Back Upholstery. Not available with Heavy Duty Frame, Folding Adjustable-Angle and Height Seat Back, Swing Away Tubular Armrests or Swing Away - Flip Back Tubular Armrests.) **\$335**

XSB20/XSB14 **FIXED ANGLE ADJUSTABLE SEAT BACK HEIGHT E** (11"-15" Fixed Seat Back Height not available with Heavy Duty Frame, Swing Away Tubular Arms 12"-15", Bolt-On Adjustable Height Push Handles or Folding Stabilizer Bar.)

Push Handles (Selected on Pg. 2)	Short	Tall	Set at: (Use 1" Increments)
None	<input type="checkbox"/> 11"- 15" (27.9-38.1cm)	<input type="checkbox"/> 16"- 20" (40.6-50.8cm)	Set at: _____
Integrated	<input type="checkbox"/> 11"- 15" (27.9-38.1cm)	<input type="checkbox"/> 16"- 20" (40.6-50.8cm)	Set at: _____
Integrated Fold-Down	<input type="checkbox"/> 11"- 15" (27.9-38.1cm)	<input type="checkbox"/> 16"- 20" (40.6-50.8cm)	Set at: _____
Bolt-On Height Adj.	-----	<input type="checkbox"/> 16"- 20" (40.6-50.8cm)	Set at: _____

XSB18 **FOLDING ADJUSTABLE- ANGLE AND HEIGHT SEAT BACK E** (Not available with a Folding Stabilizer Bar or Heavy Duty Frame)

Push Handles (Selected on Pg. 2)	Short	Medium	Tall	Set at: (Use 1" Increments)
None	<input type="checkbox"/> 11"- 13" (27.9-33cm)	<input type="checkbox"/> 13.5"- 16.5" (34.3-41.9cm)	<input type="checkbox"/> 16.5"- 19.5" (41.9-49.5cm)	Set at: _____
Integrated	<input type="checkbox"/> 12.5"- 14.5" (31.8-36.8cm)	<input type="checkbox"/> 13.5"- 16.5" (34.3-41.9cm)	<input type="checkbox"/> 17"- 19.5" (43.2-50.8cm)	Set at: _____
Integrated Fold-Down	<input type="checkbox"/> 15"- 17" (38.1-4.2cm)	<input type="checkbox"/> 16"- 19" (40.6-48.3cm)	<input type="checkbox"/> 18.5"- 20.5" (47-52.1cm)	Set at: _____

FRAME MEASUREMENTS

CAMBER F

- XCBR8 0° 2° 4° 6° **STD**

FRONT ANGLE H Front Angle H is measured from inside of front frame tube to top of bottom frame tube.

Swing Away Front End

- XFA3 70° 80° 85° (Not available with 6" Front Wheels.) 90° (Requires aluminum footplate. Not available with Heavy Duty Frame, 5" or 6" Front Wheels.) **STD**
 XFA0 Omit Hangers **NCO**

Fixed Front End

- XFA6 70° 80° 85° (85° Not available with 6" Front Wheels.) **STD**

SEAT TO FOOTREST I Measure from front edge of seat sling to top rear of footrest.

If your Front Angle H is 70°, 80°, OR 85° select one Seat to Footrest I length and one Footrest type:

Standard Footrests Measurement must be at least 2" shorter than Front Seat Height C. 70° Fixed Front has a

minimum seat to footrest of 14.5"

- 14" (35.6cm) 14.5" (36.8cm) 15" (38.1cm) 15.5" (39.4cm) 16" (40.6cm) 16.5" (41.9cm)
 17" (43.2cm) 17.5" (44.5cm) 18" (45.7cm) 18.5" (47cm) 19" (48.3cm) 19.5" (49.5cm) 20" (50.8cm)
 XFTR5 Flip-up Footrest **STD**
 XFTR9 Depth Adjustable Flip-up Footrest **\$110**
 XFTR10 Depth & Angle Adjustable Flip-up Footrest (Available for 15"- 20" (38.1-50.8cm) Seat to Footrest I only.) **\$270**

International X Series Order Form

Effective November 2, 2021 (New Items in Red)

FOLDING FRAME

Page 4 of 7

XFTR11 Angle Adjustable Flip-up Footrest (Available for 15" - 20" (38.1-50.8cm) Seat to Footrest | only.).....\$170

High Mount Footrests (Not Available with Luggage Carriers, or Impact Guards.)

7" (17.8cm) 7.5" (19.1cm) 8" (20.3cm) 8.5" (21.6cm) 9" (22.9cm) 9.5" (24.1cm) 10" (25.4cm) 10.5" (26.7cm)
 11" (27.9cm) 11.5" (29.2cm) 12" (30.5cm) 12.5" (31.8cm) 13" (33cm) 13.5" (34.3cm) 14" (35.6cm) 14.5" (36.8cm)

XFTR20 High Mount Flip-up.....\$190
 XFTR15 Angle Adjustable High Mount Flip-up Footrest.....\$325
 XFTR16 Depth & Angle Adjustable High Mount Flip-up Footrest.....\$375

If your Front Angle H is 90°, select one Seat to Footrest | length and one Footrest type:

7" 8" 9" 10" 11" 12" 13"
 XFTR5 Flip-up Footrest.....STD
 XFTR9 Depth Adjustable Flip-up Footrest.....\$110
 XFTR10 Depth & Angle Adjustable Flip-up Footrest.....\$270
 XHLP1 Heel Loops (Not available with 13" or narrower Seat Width A or 1-Piece Footrests.).....\$50

CUSTOM CONFIGURATION OPTIONS

FRONT WHEELS (See Front Seat Height Ranges Chart on Page 2 for Front Seat Height C limitations.)

XFWD24 3"x1.5" LiteSpeed Billet Aluminum Wheel w/Soft Roll Tire Silver Hub **OR** Black Hub.....\$190
 XFWD14 4"x.75" Plastic Wheel w/Poly Tire (Not available with Power Adaptable Frame or Heavy Duty Frame).....NCO
 XFWD3 4"x.75" Light-Up Micro-Caster (Not available with Power Adaptable Frame or Heavy Duty Frame.).....\$80
 XFWD26 4"x1.5" LiteSpeed Plastic Wheel w/Soft Roll Tire (Not available with Power Assist, Power Add-on System or Heavy Duty Frame.).....\$95
 XFWD27 4"x1.5" LiteSpeed Billet Aluminum Wheel w/Soft Roll Tire Silver Hub **OR** Black Hub.....\$200
 XFWD6 5"x1" Plastic Wheel w/Poly Tire (Not available with Power Adaptable Frame, Heavy Duty Frame or with 90° Front Angle H.).....NCO
 XFWD28 5"x1.5" LiteSpeed Plastic Wheel w/Soft Roll Tire (Not available with Power Adaptable Frame, Heavy Duty Frame or 90° Front Angle H.).....\$95
 XFWD30 5"x1.5" LiteSpeed Billet Aluminum Wheel w/Soft Roll Tire Silver Hub **OR** Black Hub (Not available with 90° Front Angle H.).....\$215
 XFWD9 6"x1" Plastic Wheel w/Poly Tire (Not available with Power Adaptable Frame, Heavy Duty Frame or 85° or 90° Front Angle H.).....NCO
 XFWD32 6"x1.5" LiteSpeed Plastic Wheel w/Soft Roll Tire (Not available with Power Adaptable Frame, Heavy Duty Frame, 85° or 90° Front Angle H.).....\$100
 XFWD33 6"x1.5" LiteSpeed Billet Aluminum Wheel w/Soft Roll Tire Silver Hub **OR** Black Hub (Not available with 85° or 90° Front Angle H.).....\$225
 XFWD16 8"x1" Plastic Wheel w/Poly Tire (Not available with Power Assist, Power Add-on, Heavy Duty Frame or 12"-14" Seat Depths. Available with 70° Front Angle H only.).....NCO

FRONT FORKS

XFK1 TiLite Standard Fork.....STD
 XGL1 Out-Front Glide™ Suspension Fork (Available in Black anodize only. Not available with 8" Front Wheels or Heavy Duty Frame).....\$485
 Rider's Weight: 125 lbs. (56.69kg) 125-180 lbs.(56.69-81.64kg) 180-265 lbs. (81.64-120.2kg) .

ONE ARM DRIVE

XOAD1 One Arm Drive (Available with 24" Mag Wheels only. Rear Seat Height, Camber or axle restrictions may apply.).....\$1,200
 Drive Handrim Side (Available with standard aluminum handrim only.) Install on Left Install on Right

STANDARD REAR WHEELS (See Rear Seat Height Ranges Chart on Page 2 for Rear Seat Height D limitations.)

XRW14 TiLite SHADOW™.....STD
 22"(501)
 24"(540)
 25"(559) (Requires 15" (38.1cm) minimum Seat Depth B.)
 26"(590) (Requires 15" (38.1cm) minimum Seat Depth B.)

PERFORMANCE REAR WHEELS (See Rear Seat Height Ranges Chart on Page 2 for Rear Seat Height D limitations.)

XRW7 Spinergy® SPOX Black Red Blue White.....\$845
 22"(501) - Std. Hub
 24"(540) - Std. Hub
 25"(559) - Std. Hub (Requires 15" (38.1cm) minimum Seat Depth B.)
 26"(590) - **Std. Hub** (Requires 15" (38.1cm) minimum Seat Depth B.)
 XRW8 Spinergy® LX (Available with Heavy Duty Frame only when 0 or 2 degree camber is selected.)
 Black Red Blue White Bright Orange Flamingo Pink Purple.....\$1,060
 22"(501) - Std. Hub
 24"(540) - Std. Hub
 25"(559) - Std. Hub (Requires 15" (38.1cm) minimum Seat Depth B.)
 26"(590) - **Std. Hub** (Requires 15" (38.1cm) minimum Seat Depth B.)

International X Series Order Form

XRW9 New Spinerger Design Lab LX Wheels (If same color is selected, anodized hubs and rims match color anodized package on page 1. Available with black spokes only.)
 Gold Anodize Green Anodize Blue Anodize Red Anodize Purple Anodize Orange Anodize.....**\$1,260**
 22"(501) - Std. Hub
 24"(540) - Std. Hub
 25"(559) - Std. Hub (Requires 15" (38.1cm) minimum Seat Depth B.)
 26"(590) - Std. Hub (Requires 15" (38.1cm) minimum Seat Depth B.)

XRW16 New Spinerger® Carbon Blade with 3k Weave Carbon Fiber (Not available with Heavy Duty Frame.).....**\$1,480**
 24"(540)
 25"(559) (Requires 15" (38.1cm) minimum Seat Depth B.)

XRW17 X-Core Mag (Not available with Heavy Duty Frame, Short Tabs, Quad Release Axles, Spoke Guards or Omit Handrims Option. Requires Aluminum Sliver Anodized Handrims.).....**NCO**
 22"(501)
 24"(540)

AXLES

XAXL1 Stainless Quick Release.....**STD**
XAXL2 Titanium Quick Release.....**\$255**
XAXL3 Quad Release (Not available with Mag or 26"(590) Spinerger Spox or Spinerger LX Rear Wheels.).....**\$155**

PNEUMATIC REAR TIRES

XRTR1 Treaded 22"(501), 24"(540), and 26"(590) (Not available with 25"(559) Rear Wheels.).....**STD**
XRTR2 Airless Inserts.....**\$90**
XRTR31 New MBL SpeedLite 20"(451), 22"(501), 24"(540), 25"(559) and 26"(590).....**STD**
XRTR30 24"(540), 25"(559) and 26"(590) Primo Sentinel.....**\$125**
XRTR8 24"(540), 25"(559) and 26"(590) Schwalbe® Marathon Plus Evolution.....**\$140**
XRTR24 24"(540) Kenda Kobra Knobby.....**\$95**

SOLID REAR TIRES

XRTR22 22"(501), 24"(540) and 25"(559) Primo Express (Not available with Spinerger Carbon Blade Rear Wheels.).....**\$110**
XRTR23 24"(540) and 25"(559) Primo Active.....**\$135**

HANDRIMS

XRIM1 Aluminum – Silver Anodized.....**STD**
XRIM21 Aluminum – Black Anodized.....**NCO**
XRIM12 Titanium – Satin Finish (Not available with 20"(451) or 22"(501) Rear Wheels, or 24"(540) Knobby tires.).....**\$470**

Handrims by OUT-FRONT®

XRIM10 The Surge (All-In-One Oval with Gription™ Strip, Larger Profile).....**\$400**
XRIM11 The Surge LT (All-In-One Oval with Gription™ Strip, Smaller Profile).....**\$430**
XRIM20 Q-Grip (Exclusive High-Friction, Anti-Slip Coating).....**\$330**

The Natural-Fit® (Original, Larger Profile) (Not available with 20"(451) Rear Wheels.)

XRIM14 Standard Grip (Not available with Short Tabs or Spinerger Carbon Blade Rear Wheels.).....**\$395**
XRIM15 Super Grip (Not available with Short Tabs or Spinerger Carbon Blade Rear Wheels.).....**\$430**
XRIM16 Without Thumb Grip.....**\$360**

The Natural-Fit® LT (Reduced Weight, Smaller Profile) (Not available with 20"(451) Rear Wheels.)

XRIM17 Standard Grip (Not available with Short Tabs or Spinerger Carbon Blade Rear Wheels.).....**\$415**
XRIM18 Super Grip (Not available with Short Tabs or Spinerger Carbon Blade Rear Wheels.).....**\$475**
XRIM19 Without Thumb Grip.....**\$390**

Additional Handrim Options

XRIM5 Plastic Coated – Black.....**\$160**
XRIM22 Omit Handrims.....**NCO**

Tab Length

XRIM7 Long Tabs.....**STD**
XRIM8 Short Tabs (Not available with Mag Rear Wheels or The Natural-Fit® Handrims with Thumb Grip.).....**\$25**

WHEEL LOCKS

Wheel Locks by OUT-FRONT® (Composite wheel locks not always compatible with 12"-13" Seat Depth. Uni-locks will be substituted at no charge.)

XWLK7 Compact Composite Push to Lock.....**NCO**
XWLK8 Compact Composite Pull to Lock.....**NCO**
XWLK10 Extension Handles for Compact Composite Push/Pull to Lock.....**\$85**

Additional Wheel Locks

XWLK11 New MBL Composite Scissor Lock (Not available on Aero X2 Swing Away.).....**\$145**
XWLK3 Uni-Lock Set At: Push **OR** Pull.....**\$165**
XWLK4 Extension Handles for Uni-Lock.....**\$85**
XWLK15 Grade Aids Push to Lock (Not available with solid rear tires).....**\$175**

International X Series Order Form

BACK UPHOLSTERY (Want more seating options? [Click here](#) to view the new TiLite Seating Order Form.)

XBUP1	<input type="checkbox"/> Padded Nylon (Black Only. Not available with Heavy Duty Frame, Folding Back, Folding Stabilizer Bar, Depth Adjustable Frame, Fold-Down Push Handles or Ultrasuede Backrest Stripe.).....	STD
	Tension Adjustable by Straps (Included with Heavy Duty Frame. Required with Aluminum Fendered Side Guards and Fold-Down Push Handles.)	
XBUP3	<input type="checkbox"/> Padded Nylon.....	\$340
XBUP5	<input type="checkbox"/> AIR Breathable Upholstery (Not available with Ultrasuede Backrest Stripe.).....	\$340
XUPC3	Ultrasuede Backrest Stripe <input type="checkbox"/> Black (Not available with Padded Nylon or AIR Breathable Back Upholstery.).....	\$105
XBUP0	<input type="checkbox"/> Omit Back Upholstery.....	NCO

SEAT UPHOLSTERY

XSUP4	<input type="checkbox"/> Tension Adjustable (Black only).....	STD
XSUP0	<input type="checkbox"/> Omit Seat Upholstery.....	NCO

SEAT CUSHION (Want more seating options? [Click here](#) to view the new TiLite Seating Order Form.)

XCSH2	<input type="checkbox"/> Comfort Curve Cushion (Stretch-Air cover).....	\$105
XCSH23	<input type="checkbox"/> Comfort Acta-Embrace™ Comfort-Tek Zero Elevation Cushion.....	\$363
XCSH15	<input type="checkbox"/> ROHO® Hybrid Elite SR™ Single Compartment Cushion (Fits seat widths 14" to 19").....	\$498
XCSH14	<input type="checkbox"/> ROHO® QUADTRO SELECT® Cushion (Fits seat widths 14" to 19") Profile: <input type="checkbox"/> Low <input type="checkbox"/> Mid <input type="checkbox"/> High.....	\$482
XCSH16	<input type="checkbox"/> ROHO® Hybrid Select Cushion (Fits seat widths 14" to 18", and 20").....	\$515
XCSH17	<input type="checkbox"/> Vicair Active O2 Low (Fits even seat widths A 14" to 20". Non-stock upcharges may apply).....	\$476

CUSTOM CONFIGURATION OPTIONS

SIDE GUARDS

Aluminum

XSDG2	<input type="checkbox"/> Rigid Removable <input type="checkbox"/> Small OR <input type="checkbox"/> Std.....	\$200
XSDG3	<input type="checkbox"/> Quad Removable w/Hole <input type="checkbox"/> Small OR <input type="checkbox"/> Std.....	\$215
XSDG6	<input type="checkbox"/> Fendered Adjustable (Requires Tension Adjustable by Straps Back Upholstery. Not available with Angle-Adjustable Fold-Down Seat Backs.).....	\$335

New 3k Weave Carbon Fiber

XSDG7	<input type="checkbox"/> Rigid Removable <input type="checkbox"/> Small OR <input type="checkbox"/> Std.....	\$310
XSDG8	<input type="checkbox"/> Quad Removable w/Hole <input type="checkbox"/> Small OR <input type="checkbox"/> Std.....	\$320
XSDG11	<input type="checkbox"/> Fendered Adjustable (Requires Tension Adjustable by Straps Back Upholstery. Not available with Angle-Adjustable Fold-Down Seat Backs.).....	\$565

ARMRESTS (Desk Arms come with built-in Side Guards.)

XARM1	Swing Away Tubular (Not available with Heavy Duty Frame, Folding Stabilizer Bar with Short or Medium Seat Back Height ranges or Depth Adjustable Back.).....	\$225
	<input type="checkbox"/> 9" - 12" (22.9 to 30.5cm) OR <input type="checkbox"/> 12" - 15" (30.5 to 38.1cm)	
XARM4	<input type="checkbox"/> Swing Away - Flip Back Tubular (Not available with Heavy Duty Frame, Folding Stabilizer Bar or Depth Adjustable Back.).....	\$315
XARM2	Removable Height Adjustable DeskArm with Rigid Side Guard (Requires 14" minimum Seat Depth B.).....	\$335
	<input type="checkbox"/> 9" - 12" (22.9 to 30.5cm) OR <input type="checkbox"/> 12" - 15" (30.5 to 38.1cm)	
	<input type="checkbox"/> Standard Length Pad (10") OR <input type="checkbox"/> Full Length Pad (14")	
XARM3	Removable Height Adjustable Desk Arm with Rigid Side Guard and Transfer Loop (Requires 16" minimum Seat Depth B.).....	\$375
	<input type="checkbox"/> 9" to 12" (22.9 to 30.5cm) OR <input type="checkbox"/> 12" to 15" (30.5 to 38.1cm)	
	<input type="checkbox"/> Standard Length Pad (10") OR <input type="checkbox"/> Full Length Pad (14")	
	Available Armrest Option	
XARM5	<input type="checkbox"/> Covered in Black Ultrasuede (Not available with Desk Arms).....	\$110

SEAT BELTS

XBLT1	<input type="checkbox"/> Velcro Adjustable, Black Nylon Webbing.....	\$55
XBLT2	<input type="checkbox"/> Bodypoint® 2" Push-Button Buckle (Auto-Style.).....	\$95
XBLT4	<input type="checkbox"/> Bodypoint® 1" Wide Push-Button Buckle Padded (Auto-Style.) (Not available with 19" - 22" Rear Seat Widths A.).....	\$180
XBLT5	<input type="checkbox"/> Bodypoint® 1.5" Wide Push-Button Buckle Padded (Auto-Style.) (Not available with 19" - 22" Rear Seat Widths A.).....	\$170
XBLT8	<input type="checkbox"/> Q' Straint® WC-19 Wheelchair-Anchored Pelvic Belt (Recommended for use with Transit Tie Down.).....	\$200
XBL10	<input type="checkbox"/> Bodypoint® Optional Band Clamp Mounting Hardware.....	\$20
XBLT16	<input type="checkbox"/> Bodypoint® EvoFlex® Pelvic Stabilizer Push Button.....	\$185

CALF STRAP

XCLF2	Velcro Adjustable.....	\$40
	<input type="checkbox"/> Small (Recommended for 9" - 12" (22.9-30.5cm) Footrest Widths)	
	<input type="checkbox"/> Medium (Recommended for 11" - 15" (27.9-38.1cm) Footrest Widths)	
	<input type="checkbox"/> Large (Recommended for 14" - 17" (35.6-43.2cm) Footrest Widths)	
	<input type="checkbox"/> Xtra Large (Recommended for 16" - 19" (40.6-48.3cm) Footrest Widths)	
XCLF3	Bodypoint® Padded Velcro Adjustable.....	\$100
	<input type="checkbox"/> Medium (Recommended for 12" - 15" (30.5-38.1cm) Footrest Widths)	
	<input type="checkbox"/> Large (Recommended for 16" - 20" (40.6-50.8cm) Footrest Widths)	
XCLF1	<input type="checkbox"/> Buckle Adjustable, Black Nylon Webbing.....	\$30

International X Series Order Form

Effective November 2, 2021 (New Items in Red)

FOLDING FRAME

Page 7 of 7

RESIDUAL LIMB SUPPORT

XRSL1	<input type="checkbox"/> Residual Limb Support (8" width x 10" length).....	\$395
XRSL2	<input type="checkbox"/> Residual Limb Support Pair (8" width x 10" length).....	\$790

BACKPACK

XBCK3	<input type="checkbox"/> Permobil Medical Necessities Backpack.....	\$95
-------	---	------

SEAT POUCH

XPCH3	<input type="checkbox"/> Permobil Medical Necessities Seat Pouch.....	\$60
XPCH4	<input type="checkbox"/> Bodypoint® Mobility Bag.....	\$100

SPOKE GUARDS

XGRD1	<input type="checkbox"/> Clear with TiMotion Logo (Not available with Mag Rear Wheels.).....	\$135
-------	--	-------

CUSTOM CONFIGURATION OPTIONS

ANTI-TIPS

XTIP1	<input type="checkbox"/> Rear Aluminum - Black.....	\$160
XTIP7	<input type="checkbox"/> Black Aluminum Single.....	\$80
	Mount on <input type="checkbox"/> Left Side or <input type="checkbox"/> Right Side.....	NCO
XTIP2	<input type="checkbox"/> User Friendly Flip-up.....	\$335
XTIP8	<input type="checkbox"/> User Friendly Flip-up Single.....	\$165
	Mount on <input type="checkbox"/> Left Side or <input type="checkbox"/> Right Side.....	NCO

ACCESSORIES

XUEST1	Upper Extremity Support Tray <input type="checkbox"/> 12" to 14" (30.5-35.6cm) OR <input type="checkbox"/> 13" to 15" (33-38.1cm Seat Widths A (Requires Armrests.).....	\$290
XLUG1	<input type="checkbox"/> Luggage Carriers (Not available with High Mount Swing Away Footrests or 1-Piece Flip-up Footrest.).....	\$145
XMPCT2	Neoprene Impact Guards with Ultrasuede Stripe (Not available with High Mount Footrests, 90° Hangers or Elevating Leg Rest.) <input type="checkbox"/> Black.....	\$105
XCH1	<input type="checkbox"/> Crutch Holder.....	\$225

GENERAL

More options and frame modifications may be available through our Creative Mobility Division! Please contact customer service for details or [click here](#) to view options.

Permobil manufactures TiLite manual wheelchairs in a wide variety of configurations to meet the varied needs of wheelchair users. The final selection of a particular model, its options and accessories, and its measurements rests solely with the wheelchair user and advising healthcare professional. These wheelchairs must be fitted by a qualified healthcare professional. HCPCS Codes are for reference purposes only. Actual coding and coverage varies by payer. Proper HCPCS coding is not a guarantee of payment. Please verify the appropriate payer's coverage policy.

Get the latest order forms at permobilus.com. Prices, standard features, options and accessories are subject to change without notice. All rights reserved. Trademarks are identified by symbols™ and ®. TiLite, TiFit, the TiLite logo, Ti, the Ti logo, and TiShaft are registered trademarks of TiSport, LLC and are licensed to Permobil. Permobil® is a registered trademark of Permobil. Adobe®, Acrobat®, Acrobat Professional® and Reader® are registered trademarks of Adobe Systems Inc. Bodypoint® is a registered trademark of Bodypoint Inc. Kenda® is a registered trademark of Kenda Rubber Industrial Co. Ltd. ROHO®, AGILITY®, Low Profile® and Quadro Select® are registered trademarks of ROHO Inc. Schwalbe® is a registered trademark of Ralf Bohle GmbH. The Natural-Fit® and Out-Front® are registered trademarks of Three Rivers Holdings, LLC. The ACTA-BACK®, ACTA-EMBRACE™, COMFORT-TEK™, COMPASS®, CURVE®, ELEMENTS®, and STRETCH AIR™ are registered trademarks of THE COMFORT COMPANY® and are licensed to Permobil. Q'Straint® is a registered trademark of Q'Straint Inc.

QUOTE THIS CHAIR

If you are using Adobe Acrobat, this order form may be converted into a quote request or into an order by clicking one of the buttons (this feature is available exclusively to Permobil dealers and distributors). A Quote or an Order Confirmation will be sent to you within 24 hours.

ORDER THIS CHAIR