

# TiLite Pilot Canadian Order Form

Effective January 10, 2022 (New Items in Red)

CARBON RIGID, GROWABLE FRAME

Page 1 of 5

| DEALER INFORMATION         |              | RTS INFORMATION            |                        |
|----------------------------|--------------|----------------------------|------------------------|
| Dealer:                    | Account #:   | RTS:                       | Phone:                 |
| PO:                        | Ordered By:  | Email:                     |                        |
| Email:                     |              | <b>SHIP TO INFORMATION</b> |                        |
| Mark For:                  | User Weight: | Name:                      | Ship Via:              |
| TiLite Sales Rep:          |              | Address:                   |                        |
| <b>TiLite Information:</b> | Promo Code:  | City:                      | Province: Postal Code: |
| Ship Date:                 | Order #:     | Phone:                     | Fax:                   |

**Please Email or Fax to the Permobil Manual Customer Service Team at [tilitesales@permobil.com](mailto:tilitesales@permobil.com) or 800.736.0925, option 2.**

## FRAME STYLE

- TPFS1  **TiLite Pilot INCLUDING Growth Kit** (Full Adjustability. Seat Width **A** grows 2" and Seat Depth **B** grows 3".) 120 Pound Weight Limit. Price includes one-time growth kit and Transit Tie-Down option. Additional growth kits sold separately.).....**\$3833**
- TPFS2  **TiLite Pilot OMIT Growth Kit**.....**\$3544**

## SMARTDRIVE POWER ASSIST SYSTEM



- ZMAXSD1  **Permobil Smart Drive MX2+** (SwitchControl comes standard. N/A with rear seat heights less than 13.5", or 20" rear wheels).....**\$7870**
- ZMAXSD6  **NEW** PushTracker E2 **OR** ZMAXSD7  PushTracker **OR**  **No PushTracker required**.....**NCO**
- ZMAXSD8  SwitchControl with Mono Jack Option.....**\$204**
- ZMAXSD4  Carrying Bag.....**\$108**
- ZMAXSD5  **NEW** Universal padded handle.....**\$30**
- \*SmartDrive apps available on Watch OS (Apple Watch) starting February 15, 2022.*

## TRANSIT TIE-DOWN OPTION

(Refer to the Transit Tie-Down Option Brochure for important information regarding the Transit Tie-Down options.)

- TPWTB  Transport Brackets (Consists of four Tie-Down Brackets.).....**NCO**
- TPTTDO  Transit Tie-Down (WC-19 Tie-Down Brackets require the TiLite back and head support. **95 lb weight limit**.).....**\$410**

## FRAME FINISHES

- TPF29 Neon Pink  TPF14 Ocean Blue Metallic  TPF30 Acid Green Metallic  TPF25 Electric Plum.....**STD**

## COLOR ANODIZE PACKAGE

(Color Anodize Package includes: Caster Mount, Caster Fork, and Caster Caps. If no anodize color is selected, the default will be black.)

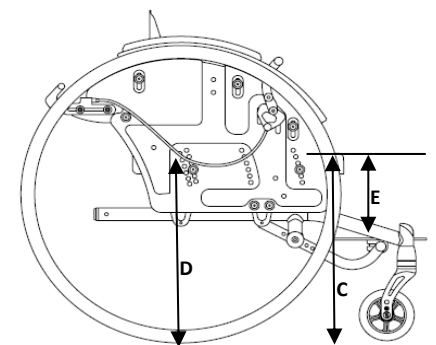
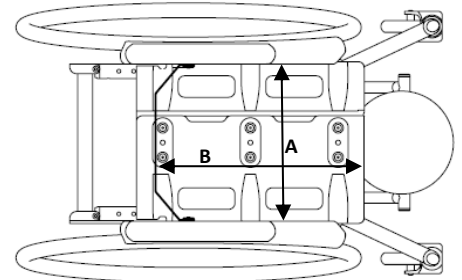
- ZANO1 Black.....**STD**
- ZAN12 Gold  ZAN15 Green  ZAN13 Purple  ZAN14 Orange  ZAN10 Blue  ZAN11 Red.....**NCO**

## FRAME MEASUREMENTS

### FRONT SEAT TO FLOOR HEIGHT, REAR SEAT TO FLOOR HEIGHT, CENTER OF GRAVITY AND SEAT TO FOOTREST

Please see the table below for available configuration adjustment ranges. Center of gravity will be set at the factory. See documentation shipped with chair for detailed information on adjustments.

| SEAT DEPTH | MEASUREMENT:      | 20" REAR WHEEL        | 22" REAR WHEEL        | 24" REAR WHEEL        |
|------------|-------------------|-----------------------|-----------------------|-----------------------|
|            |                   | AVAILABLE RANGE (IN): | AVAILABLE RANGE (IN): | AVAILABLE RANGE (IN): |
| 9"         | FRONT SEAT HEIGHT | 12.5-15               | N/A                   | N/A                   |
|            | REAR SEAT HEIGHT  | 12-13.5               | N/A                   | N/A                   |
|            | CENTER OF GRAVITY | 0.5-1.5               | N/A                   | N/A                   |
| 10"        | FRONT SEAT HEIGHT | 12-15                 | N/A                   | N/A                   |
|            | REAR SEAT HEIGHT  | 12-13.5               | N/A                   | N/A                   |
|            | CENTER OF GRAVITY | 0.5-2.25              | N/A                   | N/A                   |
| 11"        | FRONT SEAT HEIGHT | 12-15                 | 13.5-16.5             | 14-16.5               |
|            | REAR SEAT HEIGHT  | 12-13.5               | 13-15                 | 13.5-16               |
|            | CENTER OF GRAVITY | 0.5-3                 | 0.5-2.25              | 0.5-2.25              |
| 12"        | FRONT SEAT HEIGHT | 12-15                 | 13.5-16               | 14-16.5               |
|            | REAR SEAT HEIGHT  | 12-13.5               | 13-15                 | 13.5-16               |
|            | CENTER OF GRAVITY | 0.5-3.5               | 0.5-3.25              | 0.5-3.25              |
| 13"        | FRONT SEAT HEIGHT | N/A                   | 13-16                 | 13.5-16.5             |
|            | REAR SEAT HEIGHT  | N/A                   | 13-15                 | 13.5-16               |
|            | CENTER OF GRAVITY | N/A                   | 0.5-3.5               | 0.5-3.5               |
| 14"        | FRONT SEAT HEIGHT | N/A                   | 13-16                 | 13.5-16.5             |
|            | REAR SEAT HEIGHT  | N/A                   | 13-15                 | 13.5-16               |
|            | CENTER OF GRAVITY | N/A                   | 0.5-3.5               | 0.5-3.5               |



Permobil.com  
2701 West Court Street / Pasco, Washington 99301  
Tel 800 736 0925 or Email [tilitesales@permobil.com](mailto:tilitesales@permobil.com)

# TiLite Pilot Canadian Order Form

|     |                   |     |         |           |
|-----|-------------------|-----|---------|-----------|
| 15" | FRONT SEAT HEIGHT | N/A | 13-16   | 13.5-16.5 |
|     | REAR SEAT HEIGHT  | N/A | 13-15   | 13.5-15.5 |
|     | CENTER OF GRAVITY | N/A | 1.5-3.5 | 1.5-3.5   |

## FRAME MEASUREMENTS

**SEAT WIDTH A** Measure inside width from side panel to side panel. Seat width grows 2" if selected width is between 8" and 12". The 13" width will grow a maximum of 1", and the 14" width will not grow any wider. Refer to chart for seat depth availability.

TPSW1  8"  9"  10"  11"  12"  13"  14".....**STD**

**SEAT DEPTH RANGE:** The seat depth can be grown within the selected range.

9"-12"  11"-15".....**STD**

**SEAT DEPTH B** Measure from front of seat pan to front of back support cushion.

TPSD1  9"  10"  11"  12"  13"  14"  15".....**STD**

**FRONT SEAT HEIGHT C** Measure from the floor to the top edge of the front of the seat pan. Adjustable in 0.5" increments.

TPFSH1  12"  12.5"  13"  13.5"  14"  14.5"  15"  15.5"  16"  16.5".....**STD**

**REAR SEAT HEIGHT D** Measure from the floor to the top edge of the of the seat pan at the intersection of the front of the back support pad and the seat pan. Adjustable in 0.5" increments.

TPRSH1  12"  12.5"  13"  13.5"  14"  14.5"  15"  15.5"  16"  16.5".....**STD**

### FOOTREST TYPE

TPFTR3  Angle Adjustable Footrest.....**STD**

TPFTR24  Flip-Back Depth and Angle Adjustable Footrest (Not available on 8", 9" or 14" seat widths).....**\$289**

**SEAT TO FOOTREST E** Measure from the top of the footplate to the front of the seat pan. For an angle adjustable footrest, this measurement must be at least 2" less than front seat height. For a Flip-Back Depth and Angle Adjustable footrest, this measurement must be at least 3" less than front seat height.

3"  3.5"  4"  4.5"  5"  5.5"  6"  6.5"  7"  7.5"  8"  8.5"  9"  9.5"  10"  
 10.5"  11"  11.5"  12"  12.5"  13"  13.5"  14"  14.5".....**STD**

**COMFORT BACK SUPPORTS** (WC-20 certification for integrated hardware is pending testing. Cane mounted hardware is WC-20 certified.)

TPSB4  Acta-Back (Available on 12" to 14" seat widths)  
Back support length:  10"  12"  14".....**\$723**

TPSB5  Acta-Embrace (Available on 10" to 14" seat widths)  
Back support length:  10"  12"  14".....**\$800**

Comfort Back Options:

TPCHD1 Backrest Mounting Hardware Options:  Integrated Compass Hardware  Cane Mount Hardware.....**NCO**

TPFAB1 Cover Fabric:  Comfort-Tek  Stretch-Air.....**NCO**

TPLAT1  Bodilink 3"L x 4"D Lateral trunk support, each (Swing away, GlideWear cover, non-padded).....**\$540**  
Mounting Location:  Left  Right

**SEAT BACK TYPE** Measure from top of back support to seat pan. Back support shell height is 9.5" with scapular cutouts.

TPSB1  Standard Non-Folding Adjustable-Height Rigid Back with Pad (11" to 13" height range).....**STD**

TPSB2  Contoured Non-Folding Adjustable-Height Rigid Back with Pad (11" to 13" height range).....**NCO**

TPSB3  Aluminum Canes for Aftermarket back support, no Pad (Not available with height adjustable fenders).....**NCO**

**HEAD SUPPORT** (The Comfort head support is WC-20 certified on the Acta-Back and Acta-Embrace. The head support is WC-19 certified when used with the TiLite backrest.)

TPHDR1 Comfort Bodilink head support with GlideWear cover (Uses piano taper midline hardware. Available on Acta-Back, Acta-Embrace and TiLite rigid back supports).....**\$604**  
Width:  6"  8"

**PUSH HANDLES** (Height adjustable range is 33" - 40" as measured from the floor with 24" (540) wheels.)

TPSB6  Bolt-On Height-Adjustable Removable Single Push Handle.....**\$242**

TPSB7  Bolt-On Height-Adjustable Removable Dual Push Handles.....**\$300**

**CAMBER / CAMBER TUBES** (Aluminum Camber tube standard. Anodize color will match selection above.)

2° (Minimum 1.5" rear wheel spacing)  4° (Minimum 1.25" rear wheel spacing)  6° (Minimum 1" rear wheel spacing)  
 8"  12".....**STD**

**REAR WHEEL SPACING** Measure from outside of side panel to inside of rear tire at top of wheel. (Not all rear wheel spacing is available with all accessories.)

TPRWS1  0.75"  1"  1.25"  1.5"  1.75"  2".....**STD**

TPCBR12  Adjustable Rear Wheel Spacing Camber Plugs.....**STD**

TPCBR9  Additional Spacers to Increase Rear Wheel Spacing.....**NCO**

**FRONT WHEELS** (TiLite Standard Fork style will be provided.)

TPFW14  4" X 0.75" Plastic Wheel w/Poly Tire.....**STD**

TPFW3  4" X 0.75" Light-Up Micro-Caster.....**\$84**

TPFW26  4" X 1.5" LiteSpeed Plastic Wheel w/Soft Roll Tire.....**\$100**

TPFW27  4" X 1.5" LiteSpeed Billet Aluminum Wheel w/Soft Roll Tire (Black Hub Only).....**\$200**

# TiLite Pilot Canadian Order Form

## CUSTOM CONFIGURATION OPTIONS

### REAR WHEELS

- TPRW14 TiLite SHADOW™ ..... **STD**  
 20"(451) Only available with seat depth range 9"-12".  
 22"(501) Only available with seat depth range 11"-15".  
 24"(540) Only available with seat depth range 11"-15".
- TPRW7 Spinergy SPOX  Black  Red  Blue  White ..... **\$945**  
 22"(501) - Std. Hub Only available with seat depth range 11"-15".  
 24"(540) - Std. Hub Only available with seat depth range 11"-15".
- TPRW8 Spinergy LX  Black  Red  Blue  White  Bright Orange  Flamingo Pink  Purple ..... **\$1108**  
 22"(501) - Std. Hub Only available with seat depth range 11"-15".  
 24"(540) - Std. Hub Only available with seat depth range 11"-15".
- TPRW9 **New Spinergy Design Lab LX Wheels (If same color is selected, anodized hubs and rims match color anodized package on page 1. Available with black spokes only.)**  
 Gold Anodize  Green Anodize  Blue Anodize  Red Anodize  Purple Anodize  Orange Anodize ..... **\$1853**  
 22"(501) - Std. Hub  
 24"(540) - Std. Hub  
 25"(559) - Std. Hub (Requires 15" minimum Seat Depth B.)  
 26"(590) - Std. Hub (Requires 15" minimum Seat Depth B.)
- TPRW16 **New Spinergy® Carbon Blade with 3k Weave Carbon Fiber (Not available with Heavy Duty Frame.)** ..... **\$1617**  
 24"(540)  
 25"(559) (Requires 15" minimum Seat Depth B.)
- TPRW17 X-Core Mag (Not available with Short Tabs, Quad Release Axles, or Omit Handrims Option.)  Black  Red  Pink  White  
 20"(451) Only available with seat depth range 9"-12" ..... **\$111**  
 22"(501)  24"(540) Only available with seat depth range 11"-15" ..... **\$116**

### AXLES

- TPAXL1  Stainless Quick Release ..... **STD**  
 TPAXL3  Quad Release (Not available with Mag Rear Wheels.) ..... **\$179**

### PNEUMATIC REAR TIRES

- TPRTR1  Treaded Treaded 22"(501), 24"(540), and 26"(590) ..... **STD**  
 TPRTR2  Airless Inserts ..... **\$121**  
**ZRTR31  New MBL SpeedLite 20"(451), 22"(501), 24"(540) ..... **STD****  
 TPRTR30  Primo Sentinel (Available on all wheel sizes, 20" (451), 22" (501), and 24" (540)) ..... **\$168**  
 TPRTR8  Schwalbe Marathon (Only available on 24" (540)) ..... **\$163**

### HANDRIMS

- TPRIM1  Aluminum – Silver Anodized ..... **STD**  
 TPRIM21  Aluminum – Black Anodized (Not available with 20" (451) Rear Wheels.) ..... **NCO**

### Handrims by OUT-FRONT®

- The Natural-Fit® LT (Reduced Weight, Smaller Profile) (Not available with 20"(451) Rear Wheels.)  
 TPRIM17  Standard Grip (Not available with Short Tabs or Spinergy Carbon Blade Rear Wheels.) ..... **\$525**  
 TPRIM18  Super Grip (Not available with Short Tabs or Spinergy Carbon Blade Rear Wheels.) ..... **\$562**  
 TPRIM19  Without Thumb Grip ..... **\$483**  
 TPRIM11  The Surge LT (All-In-One Oval with Gription™ Strip, Smaller Profile) (Not available with 20"(451) Rear Wheels.) ..... **\$494**  
 TPRIM20  Q-Grip (Exclusive High-Friction, Anti-Slip Coating) (Not available with 20"(451) Rear Wheels.) ..... **\$394**

### Additional Handrim Options

- TPRIM5  Plastic Coated – Black (Not available with Mag Rear Wheels.) ..... **\$168**  
 TPRIM22  Omit Handrims ..... **NCO**

### Tab Length

- TPRIM7  Long Tabs ..... **STD**  
 TPRIM8  Short Tabs (Not available with Mag Rear Wheels or The Natural-Fit® Handrims with Thumb Grip.) ..... **\$37**

### WHEEL LOCKS

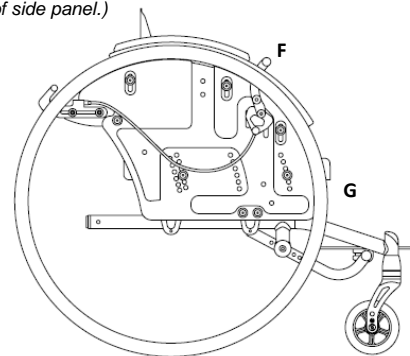
- TPWLK30  Compact Push to Lock ..... **NCO**  
 TPWLK31  Compact Pull to Lock ..... **NCO**

Mounting Location:

- Standard Location **F**  Forward Mount Location **G** (Mounted on forward front of side panel.)

### SOLID SEAT PAN

- TPSP1 Solid Seat Pan (Required Option) ..... **\$205**



# TiLite Pilot Canadian Order Form

**SEAT CUSHION**

- TPCSH2     Comfort Curve Cushion (Stretch-Air cover.).....\$142
- TPCSH23     Comfort Acta-Embrace™ Comfort-Tek Zero Elevation Cushion...\$497
- SCSH11     ROHO Single Compartment Low Profile Cushion.....\$711

**CUSTOM CONFIGURATION OPTIONS**

**ROHO OPTIONS:** (Made to order options have a 2-3 week lead time)

|                |     | SEAT DEPTH (B) |               |               |               |               |               |
|----------------|-----|----------------|---------------|---------------|---------------|---------------|---------------|
|                |     | 10"            | 11"           | 12"           | 13"           | 14"           | 15"           |
| SEAT WIDTH (A) | 8"  | Made to Order  | Made to Order | Made to Order | Made to Order | Made to Order | Made to Order |
|                | 9"  | Made to Order  | Made to Order | Made to Order | Made to Order | Made to Order | Made to Order |
|                | 10" | Made to Order  | Made to Order | Made to Order | Made to Order | Made to Order | Made to Order |
|                | 11" | Made to Order  | Stocked       | Stocked       | Stocked       | Made to Order | Made to Order |
|                | 12" | Made to Order  | Stocked       | Stocked       | Stocked       | Made to Order | Made to Order |
|                | 13" | Made to Order  | Made to Order | Made to Order | Stocked       | Stocked       | Stocked       |
|                | 14" | Made to Order  | Made to Order | Made to Order | Stocked       | Stocked       | Stocked       |

**SIDE GUARDS:** (Side guards required)

- TPSDG30     Built in Side Guard with Height Adjustable Fender (Not available with 20" rear wheels, .).....\$609
- TPSDG31     Built in Side Guard WITHOUT Fender.....STD

**ARMRESTS** (Armrests attach to built in Side Guards.)

- TPARM2     Height Adjustable Desk Arm w/ 10" Pad (Works with Fendered Side Guard Attachment Option.).....\$452
- TPARM31     Height Adjustable Armrest.....STD

**UPPER BODY POSITIONING**

- TPUBP1     Bodypoint® PivotFit™ Dynamic shoulder harness with cam buckle mounts, rear-pull .....\$284
  - Extra Small     Small
- TPUBP2     Bodypoint® Monoflex™ chest support.....\$273
  - Extra Small     Small

**PELVIC POSITIONING BELTS**

- TPBLT1     Velcro Adjustable, black nylon webbing seat belt.....\$74
- TPBLT8     Q'Straint® WC-19 Wheelchair-Anchored Pelvic Belt (Recommended for use with Transit Tie Down.).....\$210
- TPBLT30     Bodypoint® 1" wide two-point padded hip belt with swivel buckle.....\$242
- TPBLT16     Bodypoint® 1" wide Evoflex® belt with small push-button buckle.....\$252

**LOWER BODY POSITIONING**

- TPCLF15     Bodypoint® Ankle Huggers®.....\$305
  - Extra Small     Small

**ANTI-TIPS**

- TPTIP1     Rear Aluminum - Black.....\$210
- TPTIP7     Single Anti-tip.....\$168
  - Mounting Location:  Right Side     Left Side

**BACKPACK**

- TPBCK3     Black Permobil Backpack.....\$100

**SPOKE GUARDS**

- TPGRD30     Clear polycarbonate spoke guard with TiLite Pilot sticker pack (Not available with Mag Rear Wheels.).....\$142

**ACCESSORIES**

- TPGS1     GRIP Solutions Lap Board (Lap board dimensions are 11" X 14").....\$58
- TPCH1     Crutch Holder.....\$153

# TiLite Pilot Canadian Order Form

Effective Jan 10, 2022 (New Items in Red)

CARBON RIGID, GROWABLE FRAME

Page 5 of 5

## GENERAL

Permobil manufactures TiLite manual wheelchairs in a wide variety of configurations to meet the varied needs of wheelchair users. The final selection of a particular model, its options and accessories, and its measurements rests solely with the wheelchair user and advising healthcare professional. These wheelchairs must be fitted by a qualified healthcare professional.

**Get the latest order forms at permobilus.com.** Prices, standard features, options and accessories are subject to change without notice. All rights reserved. Trademarks are identified by symbols™ and ®. TiLite, TiFit, the TiLite logo, Ti, the Ti logo, and TiShaft are registered trademarks of TiSport, LLC and are licensed to Permobil. Permobil® is a registered trademark of Permobil. Adobe®, Acrobat®, Acrobat Professional® and Reader® are registered trademarks of Adobe Systems Inc. Bodypoint® is a registered trademark of Bodypoint Inc. Kenda® is a registered trademark of Kenda Rubber Industrial Co. Ltd. ROHO®, AGILITY®, Low Profile® and Quadro Select® are registered trademarks of ROHO Inc. Schwalbe® is a registered trademark of Ralf Bohle GmbH. The Natural-Fit® and Out-Front® are registered trademarks of Three Rivers Holdings, LLC. The ACTA-BACK®, ACTA-EMBRACE™, COMFORT-TEK™, COMPASS®, CURVE®, ELEMENTS®, and STRETCH AIR™ are registered trademarks of THE COMFORT COMPANY® and are licensed to Permobil. Q'Strain® is a registered trademark of Q'Strain Inc.

## NOTES

### QUOTE THIS CHAIR

If you are using Adobe Acrobat, this order form may be converted into a quote request or into an order by clicking one of the buttons (this feature is available exclusively to Permobil dealers and distributors). A Quote or an Order Confirmation will be sent to you within 24 hours.

### ORDER THIS CHAIR