

TiLite X-Series Canadian Order Form

Effective Jan1, 2022 (New Items in Red)

FOLDING FRAME

Page 1 of 7

DEALER INFORMATION		RTS INFORMATION	
Dealer:	Account #:	RTS:	Phone:
PO:	Ordered By:	Email:	
Email:		SHIP TO INFORMATION	
Mark For:	User Weight:	Name:	Ship Via:
TiLite Sales Rep:		Address:	
TiLite Information:	Promo Code:	City:	Province: Postal Code:
Ship Date:	Order #:	Phone:	Fax:

More options and frame modifications may be available through our Creative Mobility Division! Please contact customer service for details or [click here](#) to view options.

Please Email or Fax to the Permobil Manual Customer Service Team at tilitesales@permobil.com or 866-586-2413

FRAME STYLE

- AXFS1 **Aero X Aluminum Frame** (Full Adjustability. 265 (120.2kg) Pound Weight Limit.).....\$3114
- GXFS4 **2GX Titanium Frame** (Full Adjustability. 265 (120.2kg) Pound Weight Limit. Light Weight, High Strength and Vibration Dampening. Not Available with Frame Transit Tie-Down.).....\$5072
- XFS1 **Swing Away**.....STD
- XFS3 **Hemi Height Frame** (Available with a Front Seat Height of 13.5" - 20" (34.3-50.8cm). Not Available with Depth Adjustable Back/Frame, 12" or 13" (30.5cm or 33cm) Seat Depth or Heavy Duty Frame.).....NCO
- XFS2 **Fixed Front**.....NCO
- XHDR1 **Heavy Duty Frame** (350 (158.75kg) Pound Weight Limit. Includes Tension Adjustable by Straps Back Upholstery. Available with 18" to 22" (45.7 to 55.9cm) Seat Widths & 16" to 20" (40.6 to 50.8cm) Seat Depths. Not Available with 90° front end).....\$578
- XRFR1 **Reinforced Frame** (No charge when 20" (50.8cm) Rear Seat Width and 20" (50.8cm) Seat Depth are selected.).....\$420

SMARTDRIVE POWER ASSIST SYSTEM



- ZMAXSD1 **Permobil Smart Drive MX2+** (SwitchControl comes standard. N/A with rear seat heights less than 13.5", or 20" rear wheels)....\$7870
- ZMAXSD6 **NEW PushTracker E2 OR ZMAXSD7** PushTracker **OR** **No PushTracker required**.....NCO
- ZMAXSD8 SwitchControl with Mono Jack Option.....\$204
- ZMAXSD4 Carrying Bag.....\$108
- ZMAXSD5 **NEW Universal padded handle**.....\$30

TRANSIT OPTIONS

- XTTDO1 **Aluminum Frame Transit Tie-Down** (Consists of four Tie-Down Brackets. Not Available with 2GX2, Heavy Duty Frame, Hemi Height Frame, Swing Away Tubular Armrests or Swing Away- Flip Back Tubular Armrests. Requires a Folding Stabilizer Bar unless a Depth Adjustable Backrest is selected. Requires minimum seat depth of 14" (35.6cm)) (Please refer to the Aero X2 Transit Tie-Down Option Brochure for important information regarding the Transit Tie-Down Options.).....\$468
- XWTB **Transport Bracket Option** (Consists of four Tie-Down Brackets. Unoccupied Use Only.) (Not Available when Swing Away frame and Heavy Duty Frame are both selected. Not available with Swing Away Tubular Armrest or Swing Away -Flip Back Tubular Armrests. Requires a minimum seat depth of 14" (35.6cm) or 15" (38.1cm) seat Depth with Hemi Height Frame.).....\$405

FRAME FINISHES

Natural Finishes

- XFF1 Satin (Available with Titanium Frame only.).....STD
- XSCBT1 Satin Finish Buffing Pads.....\$21
- XFF3 **Tattoos** (Tattoos on front frame tubes. Titanium frame finished in Satin Aluminum frame finished in blasted aluminum with clear coat. Tattoos will be trimmed and adjusted to fit your frame.).....\$378

XFF45 NeedFor Speed



XFF43 Mosaic



XFF44 Flower Garden



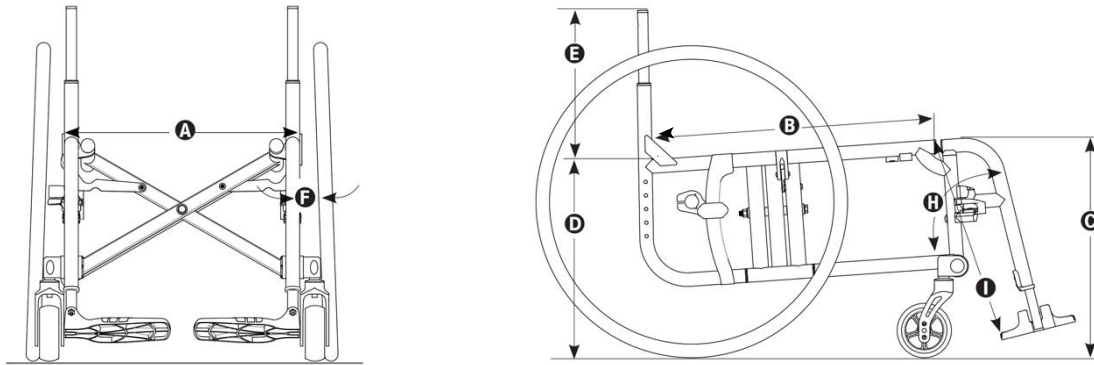
- High Gloss Paint** **XFF8 High Gloss Black** XFF10 TiLite Red XFF29 Neon Pink
- Metallic Paint** XFF14 Ocean Blue Metallic XFF15 Tangerine Metallic XFF30 Acid Green Metallic
- Pearlescent Paint** XFF17 Midnight Blue Pearl XFF18 White Pearl
- Matte Paint** XFF19 Black Lava XFF27 Titanium Grey
- Candy Paint** XFF22 Ruby Red XFF23 Azure Blue XFF25 Electric Plum
- Matte Textured Paint** XFF40 Hyper Blue XFF41 Flame Orange XFF42 OD Green.....STD



Permobil.com
2701 West Court Street / Pasco, Washington 99301
Tel 800 736 0925 or Email tilitesales@permobil.com

TiLite X-Series Canadian Order Form

FRAME MEASUREMENTS



SEAT WIDTH A Measure from outside of seat tube at back post to the outside of the opposite seat tube at back post.

- XSW1 12" (30.5cm) 13" (33cm) 14" (35.6cm) 15" (38.1cm) 16" (40.6cm) 17" (43.2cm)
 18" (45.7cm) 19" (48.3cm)..... **STD**
 XSW2 20" (50.8cm) 21" (53.3cm) 22" (55.9cm) (21" (46cm) and 22" (56cm) Seat Widths A are only available with Heavy Duty Frame.) **\$520**

SEAT DEPTH B Measure from 1/2" (1cm) in front of back post to the front edge of seat sling. (12"-14" (30-35.6cm) Seat Depths B not available with 25" and 26" Rear Wheels.)

- XSD1 12" (30.5cm) 13" (33cm) 14" (35.6cm) 15" (38.1cm) 16" (40.6cm) 17" (43.2cm)
 18" (45.7cm) 19" (48.3cm)..... **STD**
 XSD2 20" (50.8cm)..... **\$567**
 XSD3 Custom Frame Depth: _____" Frame Depth Longer Than Seat Depth (Use 1" (2.5cm) increments with a maximum of 2" (5.1cm). A Custom Frame Depth with a maximum of 20" (50.8cm) is additional charge.)..... **NCO**

FRONT SEAT HEIGHT C Measure from floor to top of seat tube at front edge of seat sling Adjustable in 1/2" (1.3cm) increments. (13.5" - 14" (34.3-35.6cm) Front Seat Height C requires Hemi Height Frame Style. 20.5" - 21" (52.1-53.3cm) Front Seat Height C not available with Hemi Height Frame Style.

FRONT SEAT HEIGHT RANGES

Front Wheel Size	Front Seat Heights C	Hemi Front Seat Heights C	XFSH1
3" Front Wheel	14.5" - 18.5" (36.8-47cm)	13.5" - 17.5" (34.3-44.5cm)	<input type="checkbox"/> 13.5" (34.3cm) <input type="checkbox"/> 14" (35.6cm) <input type="checkbox"/> 14.5" (36.8cm)
3" Front Wheel w/Glide™	16.0" - 17.5" (40.6-44.5cm)	15.0" - 17.0" (38.1-43.2cm)	<input type="checkbox"/> 15" (38.1cm) <input type="checkbox"/> 15.5" (39.4cm) <input type="checkbox"/> 16" (40.6cm)
4" Front Wheel	15.5" - 19.0" (39.4-48.3cm)	14.5" - 18.0" (36.8-45.7cm)	<input type="checkbox"/> 16.5" (41.9cm) <input type="checkbox"/> 17" (43.2cm) <input type="checkbox"/> 17.5" (44.5cm)
4" Front Wheel w/Glide™	16.5" - 18.0" (41.9-45.7cm)	15.5" - 17" (39.4-43.2cm)	<input type="checkbox"/> 18" (45.7cm) <input type="checkbox"/> 18.5" (47cm) <input type="checkbox"/> 19" (48.3cm)
5" Front Wheel	16.5" - 19.5" (41.9-49.5cm)	16.0" - 18.5" (40.6-47cm)	<input type="checkbox"/> 19.5" (49.5cm) <input type="checkbox"/> 20" (50.8cm) <input type="checkbox"/> 20.5" (52.1cm)
5" Front Wheel w/Glide™	17.5" - 18.5" (44.5-47cm)	16.5" - 18.0" (41.9-45.7cm)	<input type="checkbox"/> 21" (53.3cm)..... STD
6" Front Wheel	17.5" - 20.0" (44.5-50.8cm)	16.5" - 19.0" (41.9-48.3cm)	
6" Front Wheel w/Glide™	19.0" (48.3cm)	17.5" - 18" (44.5-45.7cm)	
8" Front Wheel	19.5" - 21.0" (49.5-53.3cm)	18.5" - 19.5" (47-50.8cm)	

REAR SEAT HEIGHT D Measure from floor to top of seat tube at back post. Adjustable in 3/8" increments.

REAR SEAT HEIGHT RANGES

Rear Wheel Size	Rear Seat Height D	XRSH1
22"	13" - 18" (33-45.7cm)	<input type="checkbox"/> 13" (33cm) <input type="checkbox"/> 13.5" (34.3cm) <input type="checkbox"/> 14" (35.6cm)
24"	14" - 19" (35.6-48.3cm)	<input type="checkbox"/> 14.5" (36.8cm) <input type="checkbox"/> 15" (38.1cm) <input type="checkbox"/> 15.5" (39.4cm)
25"	14" - 19" (35.6-48.3cm)	<input type="checkbox"/> 16" (40.6cm) <input type="checkbox"/> 16.5" (41.9cm) <input type="checkbox"/> 17" (43.2cm)
26"	15" - 20" (38.1-50.8cm)	<input type="checkbox"/> 17.5" (44.5cm) <input type="checkbox"/> 18" (45.7cm) <input type="checkbox"/> 18.5" (47cm)
		<input type="checkbox"/> 19" (48.3cm) <input type="checkbox"/> 19.5" (49.5cm) <input type="checkbox"/> 20" (50.8cm) STD

BACK SUPPORTS

ROHO® AGILITY® BACK SUPPORT MIN CONTOUR (Comes standard with quick release hardware.)

- Shell Height** 10" 13" 16" 18"
 BRS5 Foam..... **\$787**
 BRS6 Foam + Lumbar..... **\$937**
 BRS7 Foam w/ Air Insert..... **\$1089**
 BRS8 Foam w/ Air Insert + Lumbar..... **\$1089**

ROHO® AGILITY® BACK SUPPORT MID CONTOUR (Comes standard with quick release hardware.)

- Shell Height** 10" 13" 16" 18"
 BRS9 Foam w/ Air Insert..... **\$1111**
 BRS10 Foam w/ Air Insert + Lumbar..... **\$1111**

TiLite X-Series Canadian Order Form

BACK SUPPORTS

COMFORT ACTA-EMBRACE™

Shell Height 10" 12" 14" 16"

SBR516 Acta-Embrace Back with 2-PT Quick Release Compass Hardware.....\$800

CPSB1 Comfort Privacy Shield.....\$55

COMFORT ACTA-RELIEF

Shell Height 10" 12" 14" 16"

SBR513 Acta-Relief Back with 2-PT Quick Release Compass Hardware.....\$1010

CPSB1 Comfort Privacy Shield.....\$55

SEAT BACK HEIGHT E/SEAT BACK/PUSH HANDLES Measure from top of back post to top of seat tube at rear of frame.

SEAT BACK TYPE

XSB20 Fixed Angle, Adjustable-Height Seat Back.....STD

XLB1 Folding Stabilizer Bar (Required with Transit Tie-Down Option unless Depth Adjustable Backrest is selected. Includes Tension Adjustable by Strap Back Upholstery.).....\$410

XSB14 Fixed Angle, Adjustable Height Seat Back w/8-Degree Bend. (Not available with Heavy Duty Frame.).....NCO

XSB18 Folding Adjustable-Angle and Height Seat Back Not Available with Hemi Height Frame, Heavy Duty Frame, 19" or 20" (48.3 or 50.8cm) Seat Depths B or Swing Away Tubular Armrest. Seat Depths B of 12"-17" (30.5-43.2cm) allow 3" (7.6cm) of rearward adjustment. Seat Depth B of 18" (45.7cm) allow 2" (5.1cm) of rearward adjustment. Requires Tension Adjustable Seat Upholstery.).....\$242

XSB16 Depth Adjustable Back/Frame (Not Available with Hemi Height Frame, Heavy Duty Frame, 19" or 20" (48.3 or 50.8cm) Seat Depths B, Swing Away Tubular or Swing Away Flip-Back Armrest. Seat Depths B of 12"-17" (30.5-43.2cm) allow 3" (7.6cm) of rearward adjustment. Seat Depth B of 18" (46cm) allow 2" (5cm) of rearward adjustment. Requires Tension Adjustable Seat Upholstery.).....NCO

PUSH HANDLES

XSB6 Integrated Push Handles.....NCO

XSB7 Integrated Fold-Down Push Handles (Requires Tension Adjustable by Straps Back Upholstery. Not available with Heavy Duty Frame.).....\$121

XSB9 Bolt-On Height Adjustable Push Handles (Requires Tension Adjustable by Straps Back Upholstery. Not available with Heavy Duty Frame, Folding Adjustable-Angle and Height Seat Back, Swing Away Tubular Armrests, Swing Away - Flip Back Tubular Armrests.).....\$431

FRAME MEASUREMENTS

XSB20/XSB14 **FIXED ANGLE ADJUSTABLE SEAT BACK HEIGHT E** (11"-15" Fixed Seat Back Height not available with Heavy Duty Frame, Swing Away Tubular Arms 12"-15", Bolt-On Adjustable Height Push Handles or Folding Stabilizer Bar.)

Push Handles

(Selected on Pg. 2)

	Short	Tall	Set at: (Use 1" Increments)
None	<input type="checkbox"/> 11.0" - 15.0"	<input type="checkbox"/> 16" - 20"	Set at: _____
Integrated	<input type="checkbox"/> 11.0" - 15.0"	<input type="checkbox"/> 16" - 20"	Set at: _____
Integrated Fold-Down	<input type="checkbox"/> 11.0" - 15.0"	<input type="checkbox"/> 16" - 20"	Set at: _____
Bolt-On Height Adj.	-----	<input type="checkbox"/> 16" - 20"	Set at: _____

XSB18 **FOLDING ADJUSTABLE- ANGLE AND HEIGHT SEAT BACK E** (Not available with a Folding Stabilizer Bar or Heavy Duty Frame)

Push Handles

(Selected on Pg. 2)

	Short	Medium	Tall	Set at: (Use 1" Increments)
None	<input type="checkbox"/> 11.0" - 13.0"	<input type="checkbox"/> 13.5" - 16.5"	<input type="checkbox"/> 16.5" - 19.5"	Set at: _____
Integrated	<input type="checkbox"/> 12.5" - 14.5"	<input type="checkbox"/> 13.5" - 16.5"	<input type="checkbox"/> 17.0" - 19.5"	Set at: _____
Integrated Fold-Down	<input type="checkbox"/> 15.0" - 17.0"	<input type="checkbox"/> 16.0" - 19.0"	<input type="checkbox"/> 18.5" - 20.5"	Set at: _____

CAMBER F

XCBR8 0° 2° 4° 6°.....STD

FRONT ANGLE H Front Angle H is measured from inside of front frame tube to top of bottom frame tube.

Swing Away Front End

XFA3 70° 80° 85° (Not available with 6" Front Wheels.) 90° (Requires aluminum footplate. Not available with Heavy Duty Frame, 5" or 6" Front Wheels.).....STD

XFA0 Omit Hangers.....NCO

Fixed Front End

XFA6 70° 80° 85° (85° Not available with 6" Front Wheels.).....STD

SEAT TO FOOTREST I/FOOTRESTS Measure from front edge of seat sling to top rear of footrest.

If your Front Angle H is **70°, 80° OR 85°** select one Seat to Footrest I length and one Footrest type:

Standard Footrests Measurement must be at least 2" shorter than Front Seat Height C. 70° Fixed Front has a minimum seat to footrest of 14.5"

14" (35.6cm) 14.5" (36.8cm) 15" (38.1cm) 15.5" (39.4cm) 16" (40.6cm) 16.5" (41.9cm)

TiLite X-Series Canadian Order Form

Effective Jan1, 2022 (New Items in Red)

FOLDING FRAME

Page 4 of 7

	<input type="checkbox"/> 17" (43.2cm) <input type="checkbox"/> 17.5" (44.5cm) <input type="checkbox"/> 18" (45.7cm) <input type="checkbox"/> 18.5" (47cm) <input type="checkbox"/> 19" (48.3cm) <input type="checkbox"/> 19.5" (49.5cm) <input type="checkbox"/> 20" (50.8cm)	
XFTR5	<input type="checkbox"/> Flip-up Footrest.....	STD
XFTR9	<input type="checkbox"/> Depth Adjustable Flip-up Footrest.....	\$116

FRAME MEASUREMENTS

XFTR10	<input type="checkbox"/> Depth & Angle Adjustable Flip-up Footrest (Available for 15"-20" (38.1-50.8cm) Seat to Footrest I only.).....	\$284
XFTR11	<input type="checkbox"/> Angle Adjustable Flip-up Footrest (Available for 15"-20" (38.1-50.8cm) Seat to Footrest I only.).....	\$247

High Mount Footrests (Not Available with Luggage Carriers, or Impact Guards)

- 7" (17.8cm) 7.5" (19.1cm) 8" (20.3cm) 8.5" (21.6cm) 9" (22.9cm) 9.5" (24.1cm)
 10" (25.4cm) 10.5" (26.7cm) 11" (27.9cm) 11.5" (29.2cm) 12" (30.5cm) 12.5" (31.8cm)
 13" (33cm) 13.5" (34.3cm) 14" (35.6cm) 14.5" (36.8cm)

XFTR20	<input type="checkbox"/> High Mount Flip-up.....	\$200
XFTR15	<input type="checkbox"/> Angle Adjustable High Mount Flip-up Footrest.....	\$342
XFTR16	<input type="checkbox"/> Depth & Angle Adjustable High Mount Flip-up Footrest.....	\$394

Elevating Leg Rest

- 14" 15" 16" 17" 18" 19" 20" 21"

XFA5	<input type="checkbox"/> Single Depth Adjustable Flip-up Footrest - <input type="checkbox"/> Left OR <input type="checkbox"/> Right.....	\$179
XFTR17	<input type="checkbox"/> Depth Adjustable Flip-up Footrest - Pair.....	\$378

If your Front Angle H is 90°, select one Seat to Footrest I length and one Footrest type:

- 7" (17.8cm) 8" (20.3cm) 9" (22.9cm) 10" (25.4cm) 11" (27.9cm) 12" (30.5cm) 13" (33cm)

XFTR5	<input type="checkbox"/> Flip-up Footrest.....	STD
XFTR9	<input type="checkbox"/> Depth Adjustable Flip-up Footrest.....	\$116
XFTR10	<input type="checkbox"/> Depth & Angle Adjustable Flip-up Footrest.....	\$284
XHLP1	<input type="checkbox"/> Heel Loops (Not available with 13" (33cm) or narrower Seat Width A or 1-Piece Footrests.).....	\$63

CUSTOM CONFIGURATION OPTIONS

FRONT WHEELS (See Front Seat Height Ranges Chart on Page 2 for Front Seat Height C limitations.)

XFWD24	<input type="checkbox"/> 3"x1.5" LiteSpeed Billet Aluminum Wheel w/Soft Roll Tire <input type="checkbox"/> Silver Hub OR <input type="checkbox"/> Black Hub.....	\$189
XFWD14	<input type="checkbox"/> 4"x.75" Plastic Wheel w/Poly Tire (Not available with Power Adaptable Frame, Heavy Duty Frame or Glide™ Single-Sided Suspension Fork.).....	NCO
XFWD3	<input type="checkbox"/> 4"x.75" Light-Up Micro-Caster (Not available with Power Adaptable Frame, Heavy Duty Frame or Glide™ Single-Sided Suspension Fork.).....	\$84
XFWD26	<input type="checkbox"/> 4"x1.5" LiteSpeed Plastic Wheel w/Soft Roll Tire (Not available with Power Assist, Power Add-on System or Heavy Duty Frame.).....	\$100
XFWD27	<input type="checkbox"/> 4"x1.5" LiteSpeed Billet Aluminum Wheel w/Soft Roll Tire <input type="checkbox"/> Silver Hub OR <input type="checkbox"/> Black Hub.....	\$200
XFWD6	<input type="checkbox"/> 5"x1" Plastic Wheel w/Poly Tire (Not available with Heavy Duty Frame or with 90° Front Angle H or Glide™ Single-Sided Suspension Fork.).....	NCO
XFWD28	<input type="checkbox"/> 5"x1.5" LiteSpeed Plastic Wheel w/Soft Roll Tire (Not available with Heavy Duty Frame or 90° Front Angle H.).....	\$100
XFWD30	<input type="checkbox"/> 5"x1.5" LiteSpeed Billet Aluminum Wheel w/Soft Roll Tire <input type="checkbox"/> Silver Hub OR <input type="checkbox"/> Black Hub (Not available with 90° Front Angle H.).....	\$263
XFWD9	<input type="checkbox"/> 6"x1" Plastic Wheel w/Poly Tire (Not available with Power Adaptable Frame, Heavy Duty Frame or 85° or 90° Front Angle H or Glide™ Single-Sided Suspension Fork.).....	NCO
XFWD32	<input type="checkbox"/> 6"x1.5" LiteSpeed Plastic Wheel w/Soft Roll Tire (Not available with Power Adaptable Frame, Heavy Duty Frame, 85° or 90° Front Angle H, or Glide™ Single-Sided Fork.).....	\$105
XFWD33	<input type="checkbox"/> 6"x1.5" LiteSpeed Billet Aluminum Wheel w/Soft Roll Tire <input type="checkbox"/> Silver Hub OR <input type="checkbox"/> Black Hub (Not available with 85° or 90° Front Angle H or Glide™ Single-Sided Suspension Fork.).....	\$263
X2FDW16	<input type="checkbox"/> 8"x1" Plastic Wheel w/Poly Tire (Not available with Power Assist, Power Add-on, Heavy Duty Frame or Glide™ Single-Sided Available with 70° Front Angle H only.) (Not available with 12"-14" Seat Depths).....	NCO

FRONT FORKS

XFWD1	<input type="checkbox"/> TiLite Standard Fork.....	STD
XGL1	<input type="checkbox"/> Out-Front Glide™ Suspension Fork (Available in Black anodize only. Not available with 8" Front Wheels or Heavy Duty Frame).....	\$573
	Rider's Weight: <input type="checkbox"/> 125 lbs. <input type="checkbox"/> 125-180 lbs. <input type="checkbox"/> 180-265 lbs.	

ONE ARM DRIVE

XOAD1	<input type="checkbox"/> One Arm Drive (Available with 24" Mag Wheels only. Rear Seat Height, Camber or axle restrictions may apply.).....	\$1638
	Drive Handrim Side (Available with standard aluminum handrim only.)	
	<input type="checkbox"/> Install on Left <input type="checkbox"/> Install on Right	

REAR WHEELS (See Rear Seat Height Ranges Chart on Page 2 for Rear Seat Height D limitations.)

XRWD14	TiLite SHADOW™.....	STD
	<input type="checkbox"/> 22"(501)	
	<input type="checkbox"/> 24"(540)	
	<input type="checkbox"/> 25"(559) (Requires 15" (38.1cm) minimum Seat Depth B.)	
	<input type="checkbox"/> 26"(590) (Requires 15" (38.1cm) minimum Seat Depth B.)	
XRWD7	Spinergy SPOX <input type="checkbox"/> Black <input type="checkbox"/> Red <input type="checkbox"/> Blue <input type="checkbox"/> White.....	\$945
	<input type="checkbox"/> 22"(501) - Std. Hub	
	<input type="checkbox"/> 24"(540) - Std. Hub	
	<input type="checkbox"/> 25"(559) - Std. Hub (Requires 15" (38.1cm) minimum Seat Depth B.)	
	<input type="checkbox"/> 26"(590) - Std. Hub (Requires 15" minimum Seat Depth B.)	

TiLite X-Series Canadian Order Form

Effective Jan1, 2022 (New Items in Red)

FOLDING FRAME

Page 5 of 7

XRW8 Spinergy LX (Only available with Heavy Duty Frame when 0 or 2 degree camber is selected.) Black Red Blue
 White Bright Orange Flamingo Pink Purple.....\$1108
 22"(501) - Std. Hub
 24"(540) - Std. Hub
 25"(559) - Std. Hub (Requires 15" (38.1cm) minimum Seat Depth B.)
 26"(590) - Std. Hub (Requires 15" (38.1cm) minimum Seat Depth B. Not available with Quad Release Axles.)

XRW9 New Spinergy Design Lab LX Wheels (If same color is selected, anodized hubs and rims match color anodized package on page 1.
 Available with black spokes only.)
 Gold Anodize Green Anodize Blue Anodize Red Anodize Purple Anodize Orange Anodize.....\$1853
 22"(501) - Std. Hub
 24"(540) - Std. Hub
 25"(559) - Std. Hub (Requires 15" minimum Seat Depth B.)
 26"(590) - Std. Hub (Requires 15" minimum Seat Depth B.)

XRW16 New Spinergy® Carbon Blade with 3k Weave Carbon Fiber (Not available with Heavy Duty Frame.).....\$1617
 24"(540)
 25"(559) (Requires 15" minimum Seat Depth B.)

XRW17 X-Core Mag (Not available with Heavy Duty Frame, Short Tabs, Quad Release Axles, Spoke Guards or Omit Handrims Option Requires Aluminum
 Silver Anodized Handrims).....\$116
 22"(501)
 24"(540)

AXLES

XAXL1 Stainless Quick Release.....STD
 XAXL2 Titanium Quick Release.....\$305
 XAXL3 Quad Release (Not available with Mag or 26"(590) Spinergy Spox or Spinergy LX Rear Wheels.).....\$179

PNEUMATIC REAR TIRES

XRTR1 Treaded 22"(501), 24"(540), and 26"(590) (Not available with 25"(559) Rear Wheels.).....STD
 XRTR2 Airless Inserts.....\$95
 XRTR3 25"(559) Primo Treaded (Standard with 25"(559) Rear Wheels.).....STD
 XRTR4 Primo.....NCO
 XRTR31 New MBL SpeedLite 20"(451), 22"(501), 24"(540), 25"(559) and 26"(590).....STD
 XRTR30 24"(540), 25"(559) and 26"(590) Primo Sentinel.....\$168
 XRTR8 24"(540), 25"(559) and 26"(590) Schwalbe® Marathon Plus Evolution.....\$163
 XRTR24 24"(540) Kenda Kobra Knobby Tires.....\$100

SOLID REAR TIRES

XRTR22 22"(501), 24"(540) and 25"(559) Primo Express (Not available with Spinergy Carbon Blade Rear Wheels.).....\$116
 XRTR23 24"(540) and 25"(559) Primo Active.....\$142

HANDRIMS

XRIM1 Aluminum – Silver Anodized.....STD
 XRIM21 Aluminum – Black Anodized.....\$63
 XRIM12 Titanium – Satin Finish (Not available with 20"(451) or 22"(501) Rear Wheels, or 24"(540) Knobby tires.).....\$515

Handrims by OUT-FRONT®

The Natural-Fit® (Original, Larger Profile)

XRIM14 Standard Grip (Not available with Short Tabs or Spinergy Carbon Blade Rear Wheels.).....\$436
 XRIM15 Super Grip (Not available with Short Tabs or Spinergy Carbon Blade Rear Wheels.).....\$494
 XRIM16 Without Thumb Grip.....\$399

The Natural-Fit® LT (Reduced Weight, Smaller Profile)

XRIM17 Standard Grip (Not available with Short Tabs or Spinergy Carbon Blade Rear Wheels.).....\$525
 XRIM18 Super Grip (Not available with Short Tabs or Spinergy Carbon Blade Rear Wheels.).....\$562
 XRIM19 Without Thumb Grip.....\$483
 XRIM10 The Surge (All-In-One Oval with Gription™ Strip, Larger Profile).....\$457
 XRIM11 The Surge LT (All-In-One Oval with Gription™ Strip, Smaller Profile).....\$494
 XRIM20 Q-Grip (Exclusive High-Friction, Anti-Slip Coating).....\$394

Additional Handrim Options

XRIM5 Plastic Coated – Black.....\$168
 XRIM22 Omit Handrims.....NCO

Tab Length

XRIM7 Long Tabs.....STD
 XRIM8 Short Tabs (Not available with Mag Rear Wheels or The Natural-Fit® Handrims with Thumb Grip.).....\$37

WHEEL LOCKS

Wheel Locks by OUT-FRONT® (Composite wheel locks not always compatible with 12"-13" (30-33cm) Seat Depth. Uni-locks will be substituted at no charge.)

XWLK7 Compact Composite Push to Lock.....NCO
 XWLK8 Compact Composite Pull to Lock.....NCO
 XWLK10 Extension Handles for Compact Composite Push/Pull to Lock.....\$90

TiLite X-Series Canadian Order Form

Effective Jan1, 2022 (New Items in Red)

FOLDING FRAME

Page 6 of 7

Additional Wheel Locks

XWLK11 <input type="checkbox"/> New MBL Composite Scissor Lock (Not available on Swing Away.)	\$216
XWLK3 Uni-Lock Set At: <input type="checkbox"/> Push OR <input type="checkbox"/> Pull	\$174
XWLK4 <input type="checkbox"/> Extension Handles for Uni-Lock	\$90
XWLK15 <input type="checkbox"/> Grade Aids Push to Lock (Not available with solid rear tires)	\$242

BACK UPHOLSTERY

XBUP1 <input type="checkbox"/> Padded Nylon (Black Only. Not available with Heavy Duty Frame, Folding Back, Folding Stabilizer Bar, Depth Adjustable Frame, Fold-Down Push Handles or Ultrasuede Backrest Stripe.)	STD
Tension Adjustable by Straps (Included with Heavy Duty Frame. Required with Aluminum Fendered Side Guards and Fold-Down Push Handles.)	
XBUP3 <input type="checkbox"/> Padded Nylon	\$436
XBUP5 <input type="checkbox"/> AIR Breathable Upholstery (Not available with Ultrasuede Backrest Stripe.)	\$420
XUPC3 Ultrasuede Backrest Stripe <input type="checkbox"/> Black (Not available with Padded Nylon or AIR Breathable Back Upholstery.)	\$111
XBUP0 <input type="checkbox"/> Omit Back Upholstery	NCO

SEAT CUSHION

XCSH2 <input type="checkbox"/> Comfort Curve Cushion (Stretch-Air cover)	\$142
XCSH23 <input type="checkbox"/> Comfort Embrace Zero Elevation Cushion (Comfort-Tek cover)	\$497
XCSH15 <input type="checkbox"/> ROHO® Hybrid Elite SR™ Single Compartment Cushion (Fits seat widths 14" to 19")	\$739
XCSH14 <input type="checkbox"/> ROHO® QUADTRO SELECT® Cushion (Fits seat widths 14" to 19") Profile: <input type="checkbox"/> Low <input type="checkbox"/> Mid <input type="checkbox"/> High	\$711
XCSH16 <input type="checkbox"/> ROHO® Hybrid Select Cushion (Fits seat widths 14" to 19")	\$756

SIDE GUARDS

Aluminum

XSDG2 <input type="checkbox"/> Rigid Removable <input type="checkbox"/> Small OR <input type="checkbox"/> Std	\$305
XSDG3 <input type="checkbox"/> Quad Removable w/Hole <input type="checkbox"/> Small OR <input type="checkbox"/> Std	\$331
XSDG6 <input type="checkbox"/> Fendered Adjustable (Requires Tension Adjustable by Straps Back Upholstery. Not available with Angle-Adjustable Fold-Down Seat Backs.)	\$420

Carbon Fiber

XSDG7 <input type="checkbox"/> Rigid Removable <input type="checkbox"/> Small OR <input type="checkbox"/> Std	\$357
XSDG8 <input type="checkbox"/> Quad Removable w/Hole <input type="checkbox"/> Small OR <input type="checkbox"/> Std	\$394
XSDG11 <input type="checkbox"/> Fendered Adjustable (Requires Tension Adjustable by Straps Back Upholstery. Not available with Angle-Adjustable Fold-Down Seat Backs.)	\$594

ARMRESTS (Desk Arms come with built-in Side Guards.)

XARM1 Swing Away Tubular (Not available with Heavy Duty Frame, Folding Stabilizer Bar with Short or Medium Seat Back Height ranges or Depth Adjustable Back.)	\$273
<input type="checkbox"/> 9" - 12" (22.9 to 30.5cm) OR <input type="checkbox"/> 12" - 15" (30.5 to 38.1cm)	
XARM4 <input type="checkbox"/> Swing Away - Flip Back Tubular (Not available with Heavy Duty Frame, Folding Stabilizer Bar or Depth Adjustable Back.)	\$331
XARM2 Removable Height Adjustable Desk Arm with Rigid Side Guard (Requires 14" minimum Seat Depth B.)	\$378
<input type="checkbox"/> 9" to 12" (22.9 to 30.5cm) OR <input type="checkbox"/> 12" to 15" (30.5 to 38.1cm)	
<input type="checkbox"/> Standard Length Pad (10") OR <input type="checkbox"/> Full Length Pad (14")	
XARM3 Removable Height Adjustable Desk Arm with Rigid Side Guard and Transfer Loop (Requires 16" minimum Seat Depth B.)	\$394
<input type="checkbox"/> 9" to 12" (22.9 to 30.5cm) OR <input type="checkbox"/> 12" to 15" (30.5 to 38.1cm)	
<input type="checkbox"/> Standard Length Pad (10") OR <input type="checkbox"/> Full Length Pad (14")	

Available Armrest Option

XARM5 <input type="checkbox"/> Covered in Black Ultrasuede (Not available with Desk Arms)	\$121
-------------------------------------------------------------------------------------------	-------

SEAT BELTS

XBLT1 <input type="checkbox"/> Velcro Adjustable, Black Nylon Webbing	\$58
XBLT2 <input type="checkbox"/> Bodypoint® 2" Push-Button Buckle (Auto-Style.)	\$100
XBLT4 <input type="checkbox"/> Bodypoint® 1" Wide Push-Button Buckle Padded (Auto-Style.) (Not available with 19" - 22" Rear Seat Widths A.)	\$179
XBLT5 <input type="checkbox"/> Bodypoint® 1.5" Wide Push-Button Buckle Padded (Auto-Style.) (Not available with 19" - 22" Rear Seat Widths A.)	\$179
XBL10 <input type="checkbox"/> Bodypoint® Optional Band Clamp Mounting Hardware	\$21
XBL16 <input type="checkbox"/> Bodypoint® EvoFlex® Pelvic Stabilizer Push Button	\$252

CALF STRAP

XCLF2 Velcro Adjustable	\$48
<input type="checkbox"/> Small (Recommended for 9" - 12" (22.9-30.5cm) Footrest Widths)	
<input type="checkbox"/> Medium (Recommended for 11" - 15" (27.9-38.1cm) Footrest Widths)	
<input type="checkbox"/> Large (Recommended for 14" - 17" (35.6-43.2cm) Footrest Widths)	
<input type="checkbox"/> Xtra Large (Recommended for 16" - 19" (40.6-48.3cm) Footrest Widths)	
XCLF3 Bodypoint® Padded Velcro Adjustable	\$84
<input type="checkbox"/> Medium (Recommended for 12" - 15" (30.5-38.1cm) Footrest Widths)	
<input type="checkbox"/> Large (Recommended for 16" - 20" (40.6-50.8cm) Footrest Widths)	
XCLF1 <input type="checkbox"/> Buckle Adjustable, Black Nylon Webbing	\$32

TiLite X-Series Canadian Order Form

Effective Jan1, 2022 (New Items in Red)

FOLDING FRAME

Page 7 of 7

RESIDUAL LIMB SUPPORT

XRSL1 <input type="checkbox"/> Residual Limb Support (8" width x 10" length)	\$541
XRSL2 <input type="checkbox"/> Residual Limb Support Pair (8" width x 10" length)	\$1082

BACKPACK

XBCK3 <input type="checkbox"/> Black Permobil Backpack	\$100
--------------------------------------------------------	-------

SEAT POUCH

XPCH3 <input type="checkbox"/> Black Permobil Seat Pouch	\$63
XPCH4 <input type="checkbox"/> Bodypoint® Mobility Bag	\$137

SPOKE GUARDS

XGRD1 <input type="checkbox"/> Clear with TiMotion Logo (Not available with MagRear Wheels.)	\$142
----------------------------------------------------------------------------------------------	-------

CUSTOM CONFIGURATION OPTIONS

ANTI-TIPS

XTIP1 <input type="checkbox"/> Rear Aluminum - Black	\$205
XTIP7 <input type="checkbox"/> Black Aluminum Single	\$105
Mount on <input type="checkbox"/> Left Side or <input type="checkbox"/> Right Side	NCO
XTIP2 <input type="checkbox"/> User Friendly Flip-up	\$378
XTIP8 <input type="checkbox"/> User Friendly Flip-up Single	\$179
Mount on <input type="checkbox"/> Left Side or <input type="checkbox"/> Right Side	NCO
XTIP9 <input type="checkbox"/> Tip Assist	\$111

ACCESSORIES

XUEST1 Upper Extremity Support Tray <input type="checkbox"/> 12" to 14" (30.5-35.6cm) OR <input type="checkbox"/> 13" to 15" (33-38.1cm) Seat Widths A (Requires Armrests.)	\$305
XLUG1 <input type="checkbox"/> Luggage Carriers (Not available with High Mount Swing Away Footrests or 1-Piece Flip-up Footrest.)	\$153
XMPCT2 Neoprene Impact Guards with Ultrasuede Stripe (Not available with High Mount Footrests, 90° Hangers or Elevating Leg Rest.)	
<input type="checkbox"/> Black	\$111
XCH1 <input type="checkbox"/> Crutch Holder	\$153

GENERAL

More options and frame modifications may be available through our Creative Mobility Division! Please contact customer service for details or [click here](#) to view options.

Permobil manufactures TiLite manual wheelchairs in a wide variety of configurations to meet the varied needs of wheelchair users. The final selection of a particular model, its options and accessories, and its measurements rests solely with the wheelchair user and advising healthcare professional. These wheelchairs must be fitted by a qualified healthcare professional.

Get the latest order forms at permobilus.com. Prices, standard features, options and accessories are subject to change without notice. All rights reserved. Trademarks are identified by symbols™ and ®. TiLite, TiFit, the TiLite logo, Ti, the Ti logo, and TiShaft are registered trademarks of TiSport, LLC and are licensed to Permobil. Permobil® is a registered trademark of Permobil. Adobe®, Acrobat®, Acrobat Professional® and Reader® are registered trademarks of Adobe Systems Inc. Bodypoint® is a registered trademark of Bodypoint Inc. Kenda® is a registered trademark of Kenda Rubber Industrial Co. Ltd. ROHO®, AGILITY®, Low Profile® and Quadro Select® are registered trademarks of ROHO Inc. Schwalbe® is a registered trademark of Ralf Bohle GmbH. The Natural-Fit® and Out-Front® are registered trademarks of Three Rivers Holdings, LLC. The ACTA-BACK®, ACTA-EMBRACE™, COMFORT-TEK™, COMPASS®, CURVE®, ELEMENTS®, and STRETCH AIR™ are registered trademarks of THE COMFORT COMPANY® and are licensed to Permobil. Q'Straint® is a registered trademark of Q'Straint Inc.

QUOTE THIS CHAIR

If you are using Adobe Acrobat, this order form may be converted into a quote request or into an order by clicking one of the buttons (this feature is available exclusively to TiLite dealers and distributors). A TiLite Quote or a TiLite Order Confirmation will be sent to you within 24 hours.

ORDER THIS CHAIR